

THE
BARRETO
MODEL 1324D - 1624D
HYDRAULIC TRENCHER EXPLODED
VIEWS WITH PART NUMBERS

CONGRATULATIONS!

You are now the proud owner of a BARRETO trencher. The following pages have detailed views of your trencher, along with corresponding part numbers. If you have any questions or need any replacement parts in the future, please contact us at your convenience. Our toll-free phone number, fax and email are listed below and parts may be ordered through any of these methods.

Thank you for your patronage and confidence in BARRETO equipment.

Barreto Manufacturing, Inc.
Innovative Equipment Engineered to Last
66498 Highway 203
La Grande, OR 97850
1-800-525-7348
1-541-963-6755 Fax
E-Mail: info@barretomfg.com
Web Site: <http://www.barretomfg.com>

Machine Identification Record

BARRETO Customer number _____

Machine model number _____

Machine serial number _____

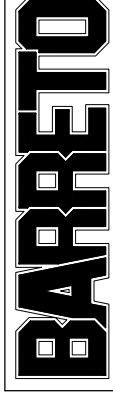
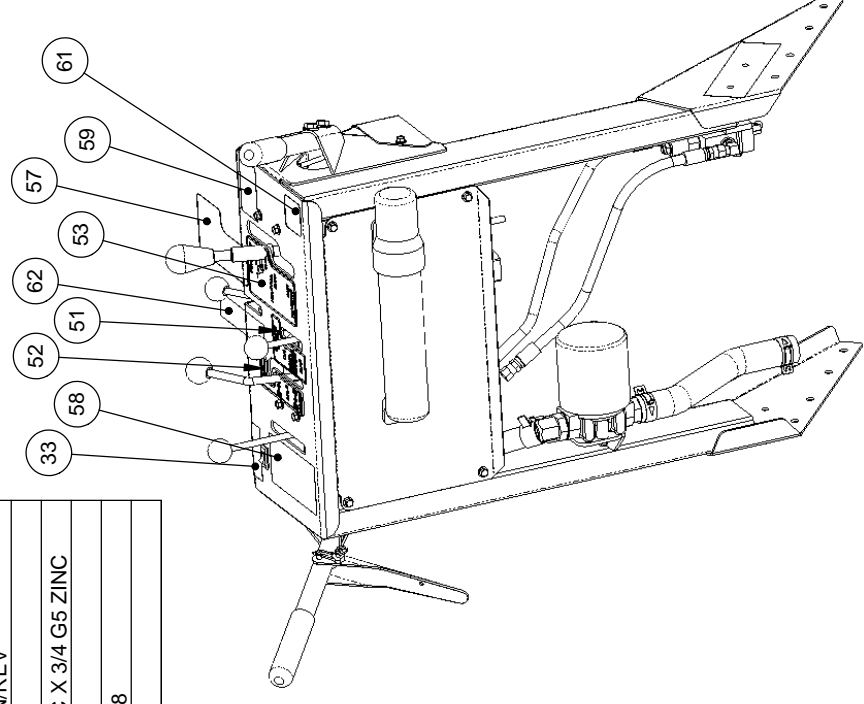
Engine manufacturer _____

Engine model number _____

Engine serial number _____

This control pod started with serial# 3472.

REF QTY.	PART NO.	DESCRIPTION	REF QTY.	PART NO.	DESCRIPTION
1	10843-D	CONTROL POD	48	10331	VALVE LINKAGE
2	05069	WHIZ LOCK, 1/4-20 NC X 5/8 ZINC	49	00408	LOCK LEVER ASSEMBLY
3	11450	LINKAGE MOUNT	50	00411	CONTROL VALVE ASSEMBLY
4	10548	SPRING LEE LE-055E-6MW	51	04431-10	DECAL, DIG CHAIN ON/OFF
5	05054	HH CAP SCREW, 5/16-18 NC X 1-3/4 G5 ZINC	52	04431-08	DECAL, AXLE LOCK
6	05068	WASHER, 5/16 SAE ZINC	53	04431-09	DECAL, TRAVEL SPEED, F/N/R
7	05273	NUT, NYLOCK, 5/16-18 NC ZINC	54	03515-T	THROTTLE CABLE
8	05081	WASHER, 1/4 SAE ZINC	55	10603	IGNITION WIRE, 912
9	05038	RUE RING COTTER #8	56	03045	CABLE, 47"
10	04212-OR-TR	FILTER HEAD, #12 O-RING, TAP RIGHT	57	04440-06	DECAL; WHEEL DRIVE F-N-R
11	10362	FITTING, 4603-12-12	58	03341-12	DECAL, "DIGGING BOOM, UP-DOWN"
12	10421	FITTING, 4604-16-12	59	03341-24	DECAL, "WARNING - NO PARKING BRAKE"
13	05225	CLAMP, 1-1/2" HOSE, CTB-36 ST	60	04440-05	DECAL, ENGINE THROTTLE
14	05008	CLAMP, 1" HOSE, CTB-29	61	04440-07	DECAL: REV/TRENCH SYMBOL
15	03951	FILTER, HYDRAULIC OIL, WITH BY-PASS	62	03341-10	DECAL, DIG CHAIN "FWD/N/REV"
16	01402-L+	HANDLEBAR, LEFT	63	12090	INSTRUCTION CANISTER
17	01402-R+	HANDLEBAR, RH	64	05554	HH CAP SCREW, 1/4-20 NC X 3/4 G5 ZINC
18	01403	HANDLE BAR SLUG	65	05233	SCREW #10-24 X 1/2 PPH
19	03032	HANDLE BAR GRIPS (SOLD IN PAIRS)	66	12077	BUSHING, IGUS JFI-0810-08
20	01503K	CLUTCH LEVER KIT	67	10346	LINKAGE PIVOT
21	05101	WASHER, 3/8 SAE ZINC			
22	05059	HH CAP SCREW, 3/8-16 NC X 1 G5 ZINC			
23	04224	FITTING, 6804-4-4			
24	11280	CABLE, 5"			
25	10763	HOSE, VALVE / FILTER			
26	10764	HOSE, FILTER / TANK			
27	06423	STARTER GROMMET WITH HARDWARE			
28	06420	ROCKER SWITCH, IGNITION OFF/ON			
29	05556	HH CAP SCREW, 1/4-20 NC X 1-3/4 G5 ZINC			
30	05096	NUT, NYLOCK, 1/4-20 NC ZINC			
31	10774	HOSE COVER			
32	10776	BACK COVER			
33	03341-07	DECAL, "IGNITION OFF/ON"			
34	03040-02	DECAL, "BARRETO", 3-1/2 X 11-1/4			
35	03040-11	DECAL, "BARRETO", 2-3/16 X 7-3/8			
36	04508-R	C-BALANCE VALVE, SINGLE			
37	04555	FITTING, 6801-4-4			
38	04218	FITTING, 6802-4-4			
39	03806	QUICK-SPLICE			
40	06421	GROUND WIRE, IGNITION SWITCH			
41	10829	HOSE, VALVE A / C-BAL PORT 3			
42	10830	HOSE, VALVE B / C-BAL PORT 2			
43	03009	HOOR METER - COMPLETE KIT			
44	11452	CABLE COLLAR			
45	11451	PRE-LOAD SPACER			
46	11453	SPRING CENTURY LL-49			
47	00405	SPEED LEVER ASSEMBLY			



TITLE: CONTROL POD ASSEMBLY

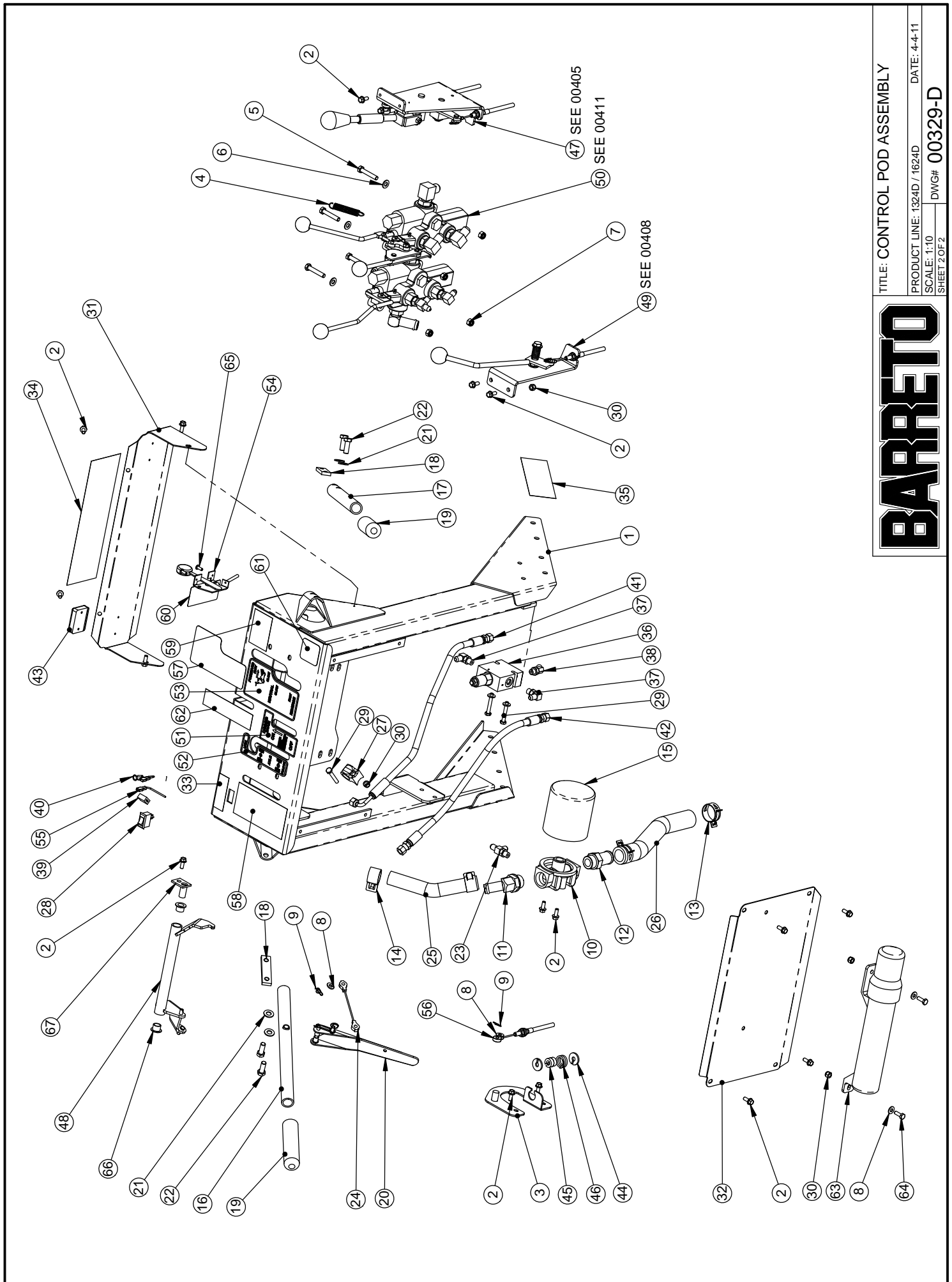
PRODUCT LINE: 1324D / 1624D

SCALE: 1:10

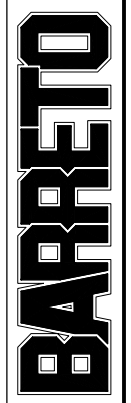
DATE: 4-4-11

SHEET 1 OF 2

DWG# 00329-D

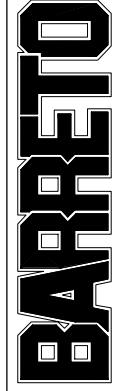
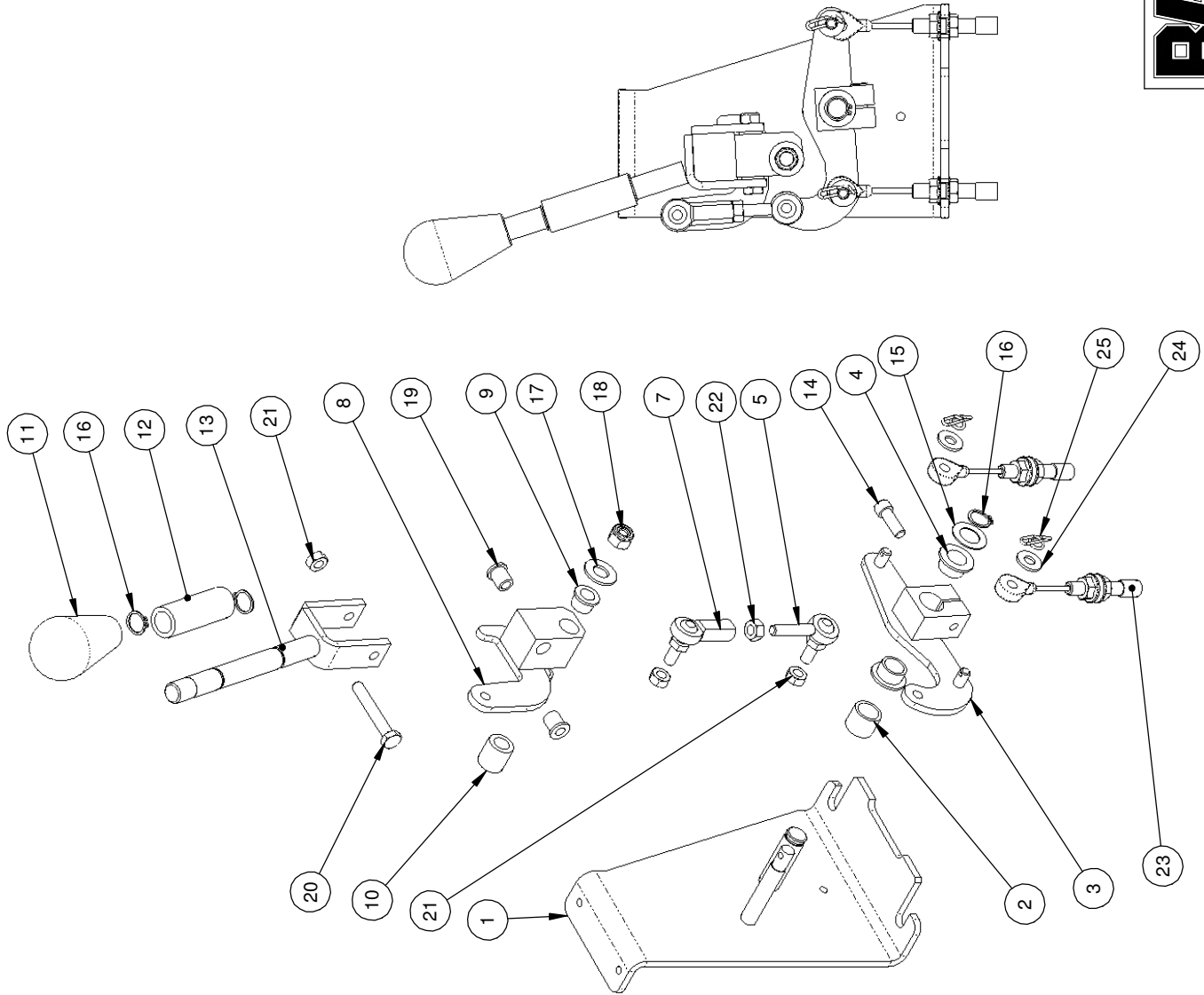


TITLE: CONTROL POD ASSEMBLY
 PRODUCT LINE: 1324D / 1624D
 SCALE: 1:10
 SHEET 2 OF 2



DATE: 4-4-11
 DWG#: 00329-D

REF.	QTY.	PART NO.	DESCRIPTION
1	1	11637	SPEED LEVER MOUNT, SINGLE
2	1	11314	SPACER, .56
3	1	11345	SPEED CABLE ARM
4	2	12078	BUSHING, IGUS RFI-0810-06
5	1	11311-1	SPHERICAL JOINT, 1/4 NF, M/M
7	1	11353-1	BALL JOINT SOCKET, 1/4 NF, FEM
8	1	11087L	LEVER PIVOT
9	2	10509	BUSHING, IGUS RFI-0608-06
10	1	11244	SPEED LEVER SPACER, .69
11	1	03508	SPEED KNOB
12	1	10547	SPEED LEVER ROLLER
13	1	11359	SPEED LEVER
14	1	05235	SH CAP SCREW, 1/4-28 NF X 3/4 PLAIN
15	1	10113	THRUST WASHER, .518 X .873 X .030
16	3	05506	SNAP RING, 1/2" EXTERNAL, SH-50
17	1	05101	WASHER, 3/8 SAE ZINC
18	1	05071	NUT, NYLOCK, 5/16-24 NF ZINC
19	2	03029-04	BUSHING, MICRO PLASTICS 12SWS1048
20	1	05243	HH CAP SCREW, 1/4-28 NF X 1-3/4 G5 ZINC
21	3	05266	NUT, GRIPCO, 1/4-28 NF G5 ZINC
22	1	05267	NUT, 1/4-28 NF ZINC
23	2	03086	CABLE, 45"
24	2	05081	WASHER, 1/4 SAE ZINC
25	2	05038	RUE RING COTTER #8

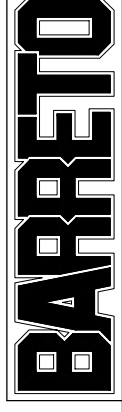
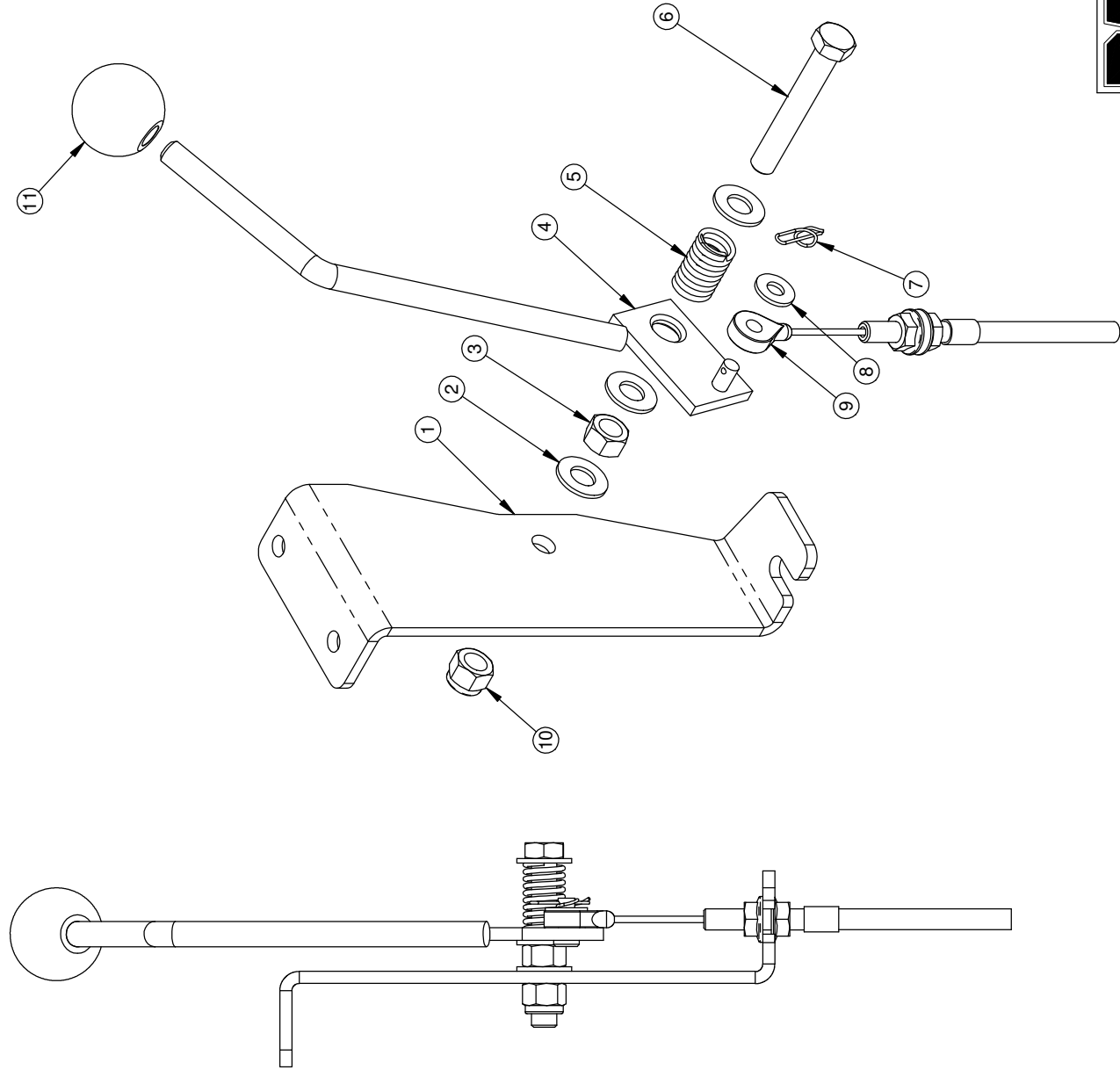


TITLE: SPEED LEVER ASSEMBLY

PRODUCT LINE: 13 / 1624D DATE: 02/09

SCALE: 1:4 DWG# 00405 SHEET 1 OF 1

REF.	QTY.	PART NO.	DESCRIPTION
1	1	11635-1	LOCK LEVER MOUNT
2	3	05101	WASHER, 3/8 SAE ZINC
3	1	05269	NUT, 3/8-16 NC GRB ZINC
4	1	11638	AXLE LOCK LEVER
5	1	03066	SPRING, CENTURY S774
6	1	05249	HH CAP SCREW, 3/8-16 NC X 2-1/2 G5 ZINC
7	1	05038	RUE RING COTTER #8
8	1	05081	WASHER, 1/4 SAE ZINC
9	1	03514	CABLE, 40"
10	1	05073	NUT, NYLOCK, 3/8-16 NC ZINC
11	1	03507	KNOB, 3/8-NC



TITLE: LOCK LEVER ASSEMBLY

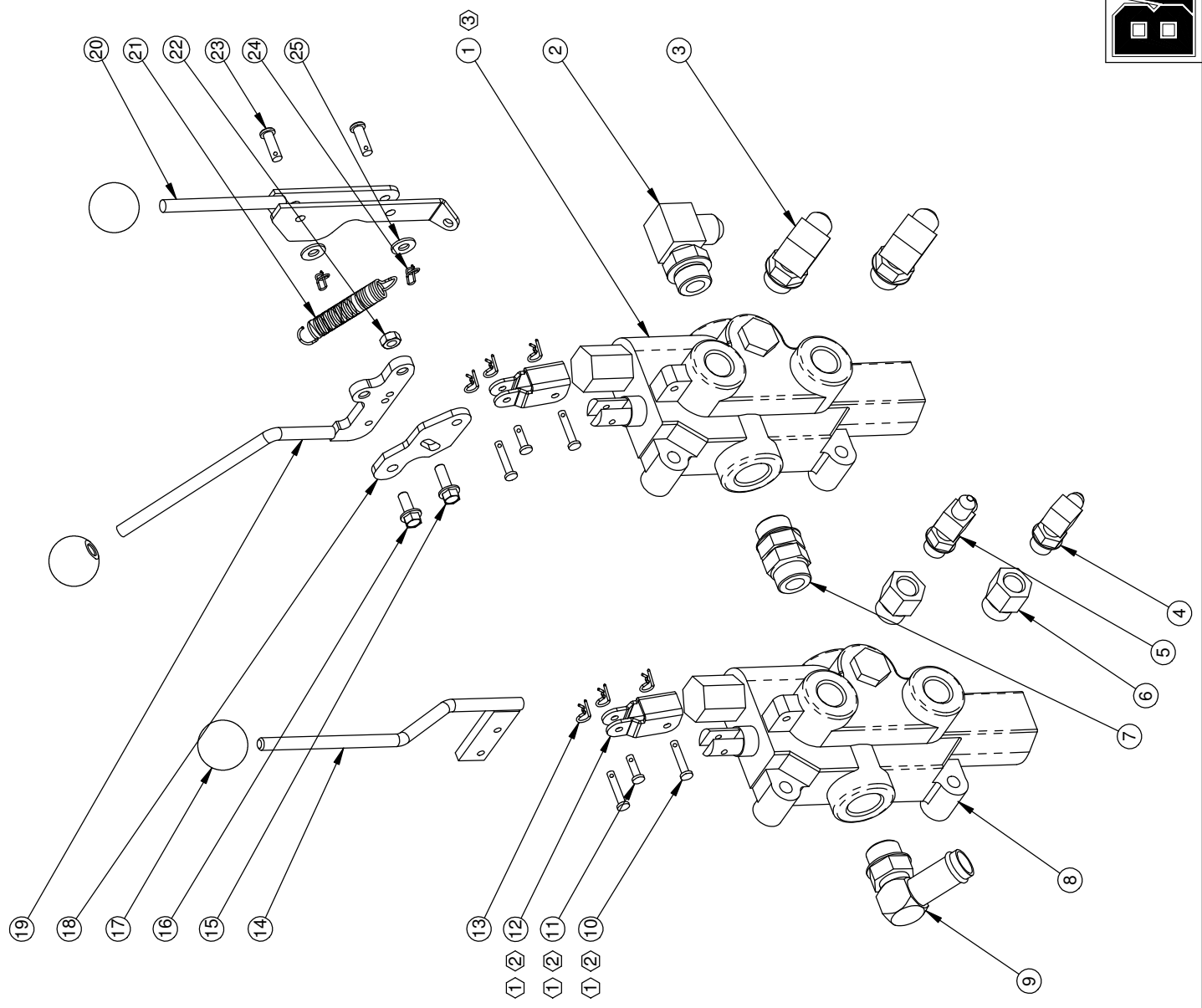
PRODUCT LINE: 1324D & 1624D DATE: 3/3/09

SCALE: 1:2.5

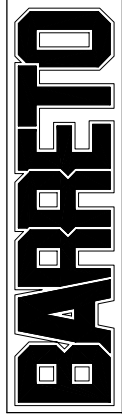
DWG# 00408

SHEET 1 OF 1

REF. QTY.	PART NO.	DESCRIPTION
1	04513-D	VALVE RD-2508-M4, 13 & 16 HP
2	04211	FITTING, 6801-8-10
3	04554	FITTING, 6801-8-8
4	04527-01	FITTING, 6801-4-6
5	04564	FITTING, 6804-4-6-4
6	04529	FITTING, 6410-8-6
7	04521	FITTING, 6407-10-10
8	04512	VALVE RD-2508-T4
9	04523	FITTING, 4601-12-10
10	03509-02	CLEVIS PIN, 3/16 X 3/4 (ORDER 03509)
11	03509-01	CLEVIS PIN, 3/16 X 7/16 (ORDER 03509)
12	03509-04	BRACKET (ORDER 03509)
13	05310	HAIR SPRING COTTER #2
14	11639	CYLINDER VALVE LEVER
15	05049	WHIZ LOCK, 1/4-20 NC X 3/4 ZINC
16	05069	WHIZ LOCK, 1/4-20 NC X 5/8 ZINC
17	03026	KNOB, 5/16-NC
18	10337	VALVE ROCKER
19	10330	VALVE LEVER
20	10335	VALVE ENGAGE LEVER
21	10548	SPRING LEE LE-055E-6MW
22	10773	NUT, GRIPCO, 1/4-20 NC G5 ZINC
23	10345	CLEVIS PIN, 1/4 X 3/4 ZINC
24	05038	RUE RING COTTER #8
25	05081	WASHER, 1/4 SAE ZINC



- NOTES:
- ① ITEMS INDICATED COME WITH VALVES.
 - ② ORDER PART NUMBER 03509 (VALVE PIN KIT) WHICH ALSO INCLUDES 3 OF 05310 (HAIR SPRING COTTER #2).
 - ③ FOR 1824, USE PART NO. 04509 (VALVE, RD-4100-M4, 18 HP).

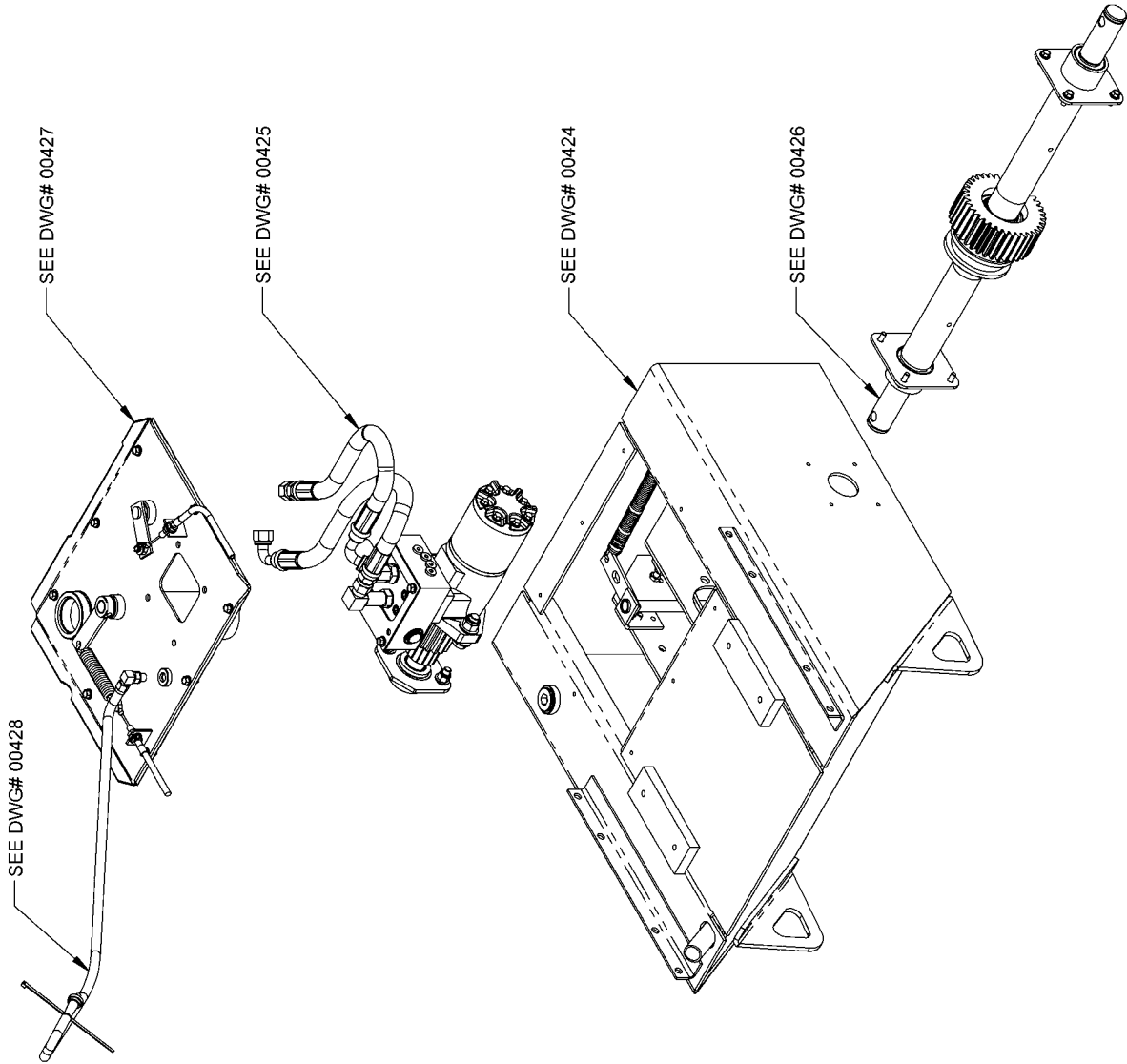


TITLE: CONTROL VALVE ASSEMBLY

PRODUCT LINE: 1324D & 1624D DATE: 3/3/09

SCALE: 1:4 DWG# 00411

SHEET 1 OF 1



TITLE: LOWER END OVERVIEW

PRODUCT LINE: 1324/1624/1824 DATE: 1/10/08

SCALE: 1:9

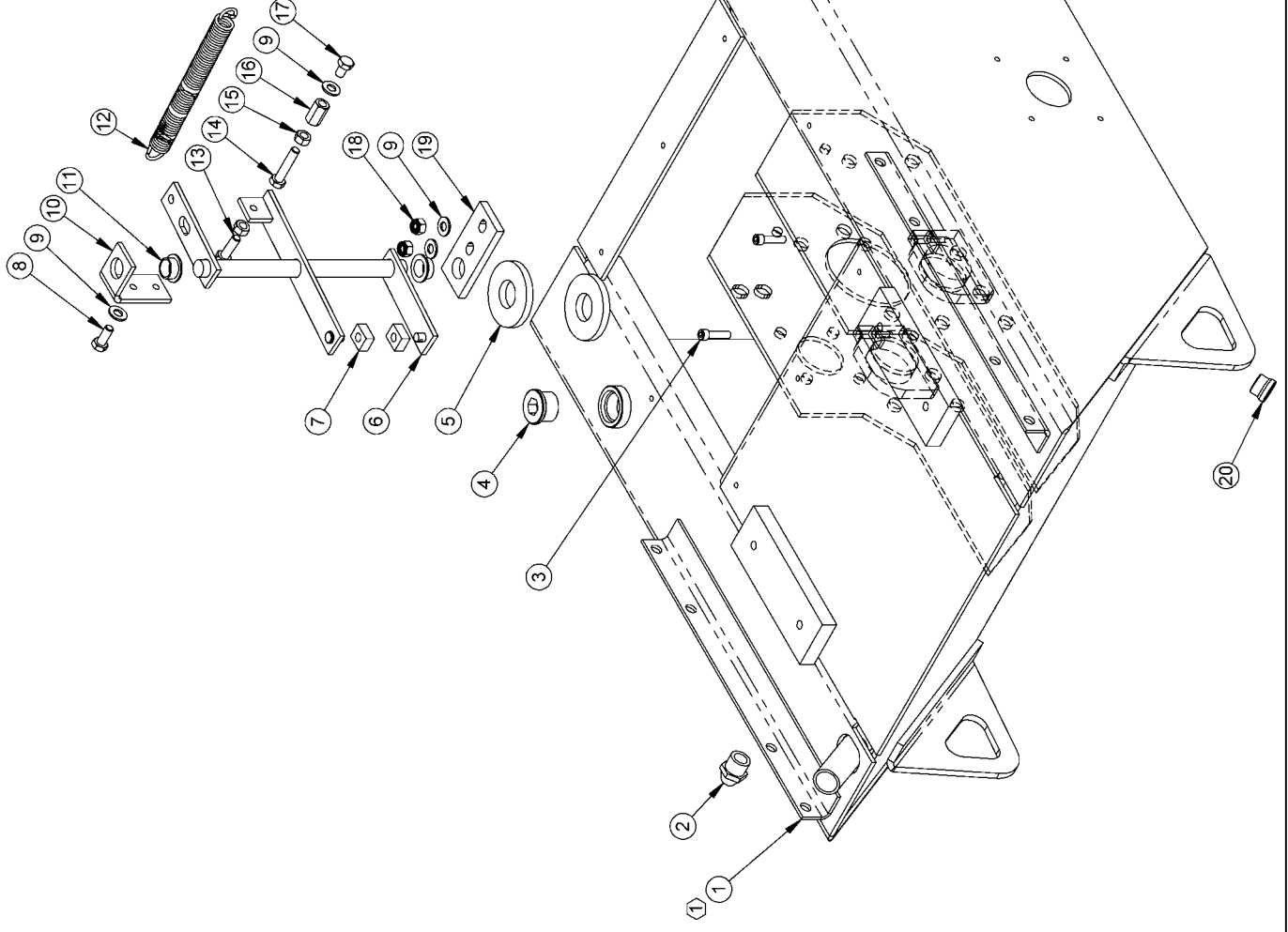
DWG# 00423

SHEET 1 OF 1

BARRETO

REF.	QTY.	PART NO.	DESCRIPTION
1	1	01200	LOWER BODY
2	1	03503	SIGHT GAUGE
3	2	05116	SH CAP SCREW, 1/4-20 NC X 1 PLAIN
4	1	10526	FITTING, 6409-12 PLUG
5	2	03520	MAGNET
6	1	01204	LOCK FORK
7	2	02214	SLIDER
8	1	05247	HH CAP SCREW, 5/16-18 NC X 3/4 G5 ZINC
9	4	05068	WASHER, 5/16 SAE ZINC
10	1	01206	LOCK FORK BRACKET
11	2	03060	BUSHING, IGUS MFI-1012-06
12	1	03220	SPRING, CENTURY 5586, 3/4 X 7-1/4
13	1	05248	HH CAP SCREW, 5/16-18 NC X 1 G5 PLAIN
14	1	05333	HH CAP SCREW, 5/16-18 NC X 1-1/2 G5 ZINC TAP
15	2	05264	NUT, 5/16-18 NC ZINC
16	1	05274	NUT, EXTENDED, 5/16-18 NC X 7/8 ZINC
17	1	05304	HH CAP SCREW, 5/16-18 NC X 1/2 G5 ZINC
18	2	05273	NUT, NYLOCK, 5/16-18 NC ZINC
19	1	01205	LOCK FORK BASE
20	1	10361	FITTING, 6409-8 PLUG

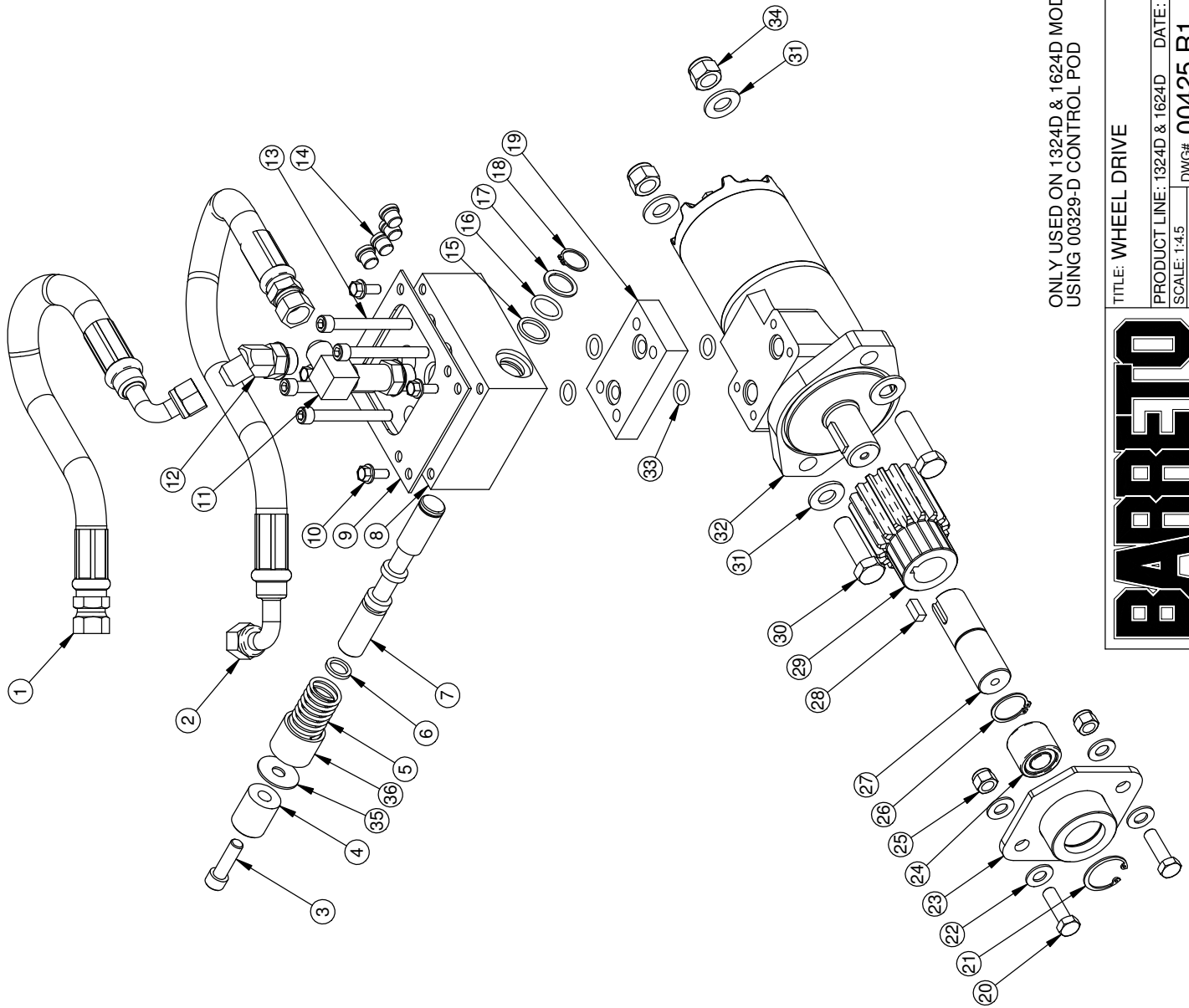
① FOUR WHEEL DRIVE UNITS USE PART NO. 01200-4WD (LOWER BODY, 4WD).



BARRETO

TITLE: BODY, LOWER
 PRODUCT LINE: 1324/1624/1824 DATE: 12/13/07
 SCALE: 1:6 DWG# 00424
 SHEET 1 OF 1

REF. QTY.	PART NO.	DESCRIPTION
1	04548-01	HOSE, WHEEL DRIVE, RIGHT, 15"
2	04547-01	HOSE, WHEEL DRIVE, LEFT, 18"
3	05239	SH CAP SCREW, 3/8-16 NC X 1-1/4 G5 PLAIN
4	02202	SPOOL SPACER
5	03055	SPRING, VALVE SPOOL RETURN
6	10614	QUAD RING #4-113
7	02201	SPOOL, DRIVE DUMP
8	02200	MANIFOLD, WHEEL MOTOR
9	03242	MANIFOLD GASKET
10	05069	WHIZ LOCK, 1/4-20 NC X 5/8 ZINC
11	04533	FITTING, 6801-8-8-LL
12	04210	FITTING, 6802-8-8
13	05238	SH CAP SCREW, 5/16-18 NC X 3 G5 PLAIN
14	03300	FITTING, 6409-4 PLUG
15	10470	QUAD RING #4-116
16	03225	O-RING, 2-116N70, 15-16 OD X 3/32 SECTION
17	03200	THRUST WASHER, .75 X 1 X .060, HARD
18	05216	SNAP RING, 3/4 EXTERNAL
19	02203CT	MANIFOLD SPACER
20	05091	HH CAP SCREW, 3/8-16 NC X 1-1/4 G5 ZINC
21	05027	SNAP RING, HO-125, 1-1/4 INTERNAL ZINC
22	05101	WASHER, 3/8 SAE ZINC
23	02205	BEARING HOUSING PINION SUPPORT
24	03230	NEEDLE BEARING
25	05073	NUT, NYLOCK, 3/8-16 NC ZINC
26	05010	SNAP RING, 1" EXTERNAL
27	02204	SHAFT, PINION SUPPORT
28	05014-A	KEY, 1/4 X 1/4 X 5/8
29	02210-8	GEAR, PINION, 16T
30	05062	HH CAP SCREW, 1/2-20 NF X 1-3/4 G5 PLAIN
31	05102	WASHER, 1/2 SAE ZINC HARDENED
32	04502	MOTOR, WHEEL DRIVE
33	03226	O-RING, 2-112N70, 11/16 OD X 3/32 SECTION
34	05075	NUT, NYLOCK, 1/2-20 NF ZINC
35	05137	WASHER, 3/8 X 1-1/4 OD FENDER ZINC
36	11305	SPOOL STOP



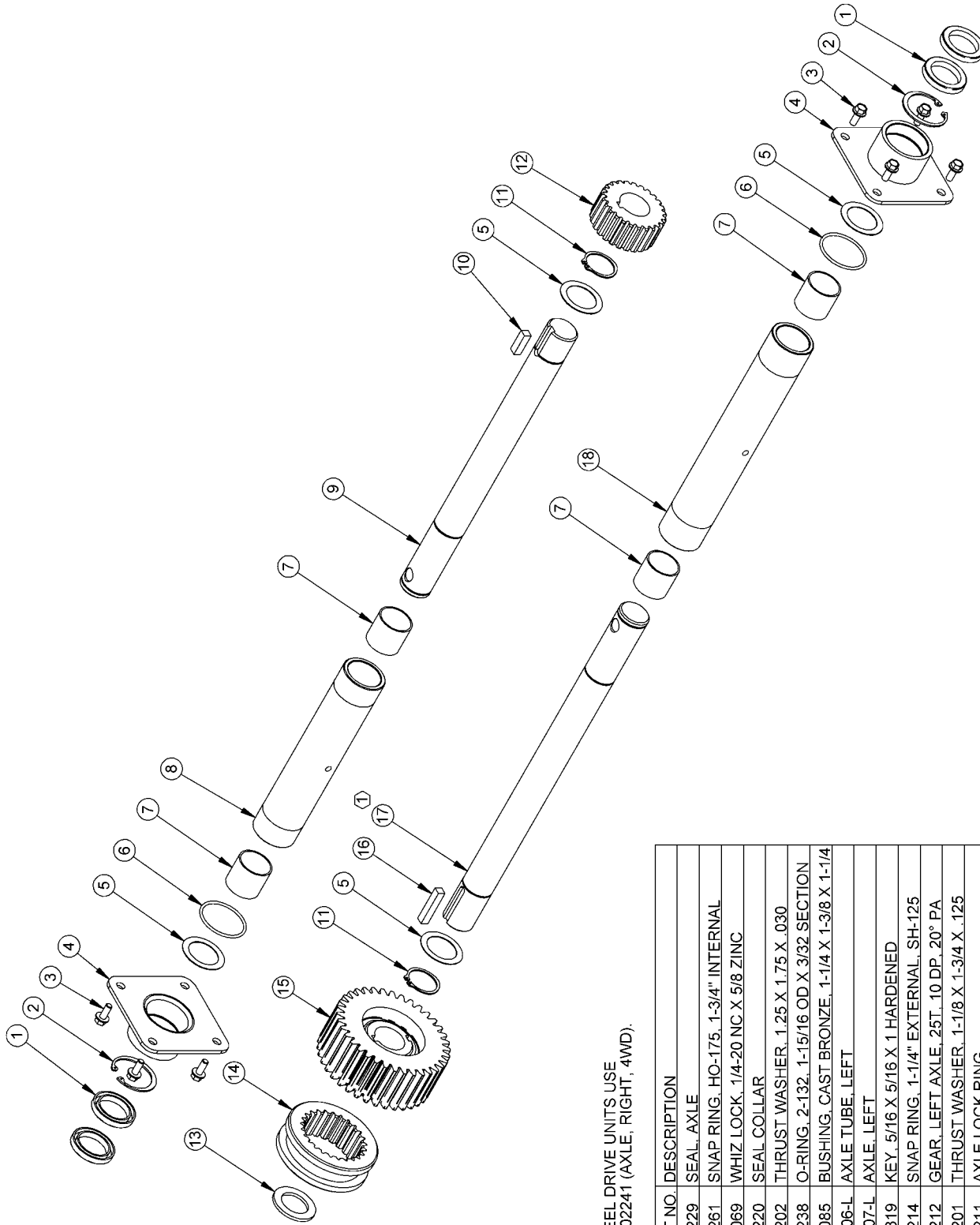
ONLY USED ON 1324D & 1624D MODELS
USING 00329-D CONTROL POD

TITLE: WHEEL DRIVE

PRODUCT LINE: 1324D & 1624D DATE: 3/4/09

SCALE: 1:4.5 DWG#: 00425 R1





① FOUR WHEEL DRIVE UNITS USE
PART NO. 02241 (AXLE, RIGHT, 4WD).

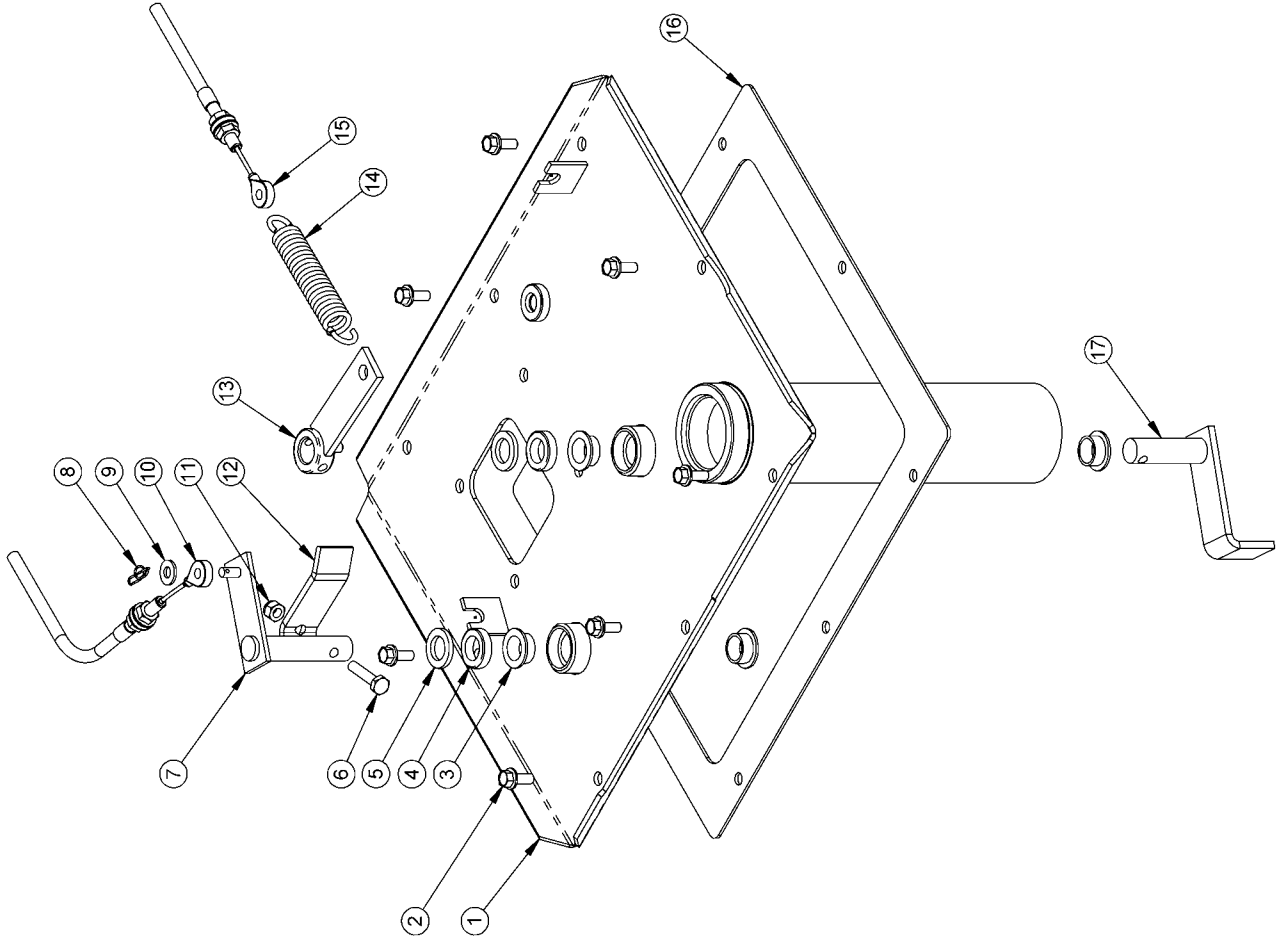
REF. QTY.	PART NO.	DESCRIPTION
1	4	03229 SEAL, AXLE
2	2	03261 SNAP RING, HO-175, 1-3/4" INTERNAL
3	8	05069 WHIZ LOCK, 1/4-20 NC X 5/8 ZINC
4	2	02220 SEAL COLLAR
5	4	03202 THRUST WASHER, 1.25 X 1.75 X .030
6	2	03238 O-RING, 2-132, 1-15/16 OD X 3/32 SECTION
7	4	03085 BUSHING, CAST BRONZE, 1-1/4 X 1-3/8 X 1-1/4
8	1	02206-L AXLE TUBE, LEFT
9	1	02207-L AXLE, LEFT
10	1	05319 KEY, 5/16 X 5/16 X 1 HARDENED
11	2	05214 SNAP RING, 1-1/4" EXTERNAL, SH-125
12	1	02212 GEAR, LEFT AXLE, 25T, 10 DP, 20° PA
13	1	03201 THRUST WASHER, 1-1/8 X 1-3/4 X .125
14	1	02211 AXLE LOCK RING
15	1	02208 GEAR ASSEMBLY, WHEEL DRIVE
16	1	05207 KEY, 5/16 X 5/16 X 1-5/8
17	1	02207-R AXLE, RIGHT
18	1	02206-R AXLE TUBE, RIGHT

TITLE: AXLES

BARRETO

PRODUCT LINE: 1324/1624/1824 DATE: 12/13/07
SCALE: 1:5.4 DWG# 00426
SHEET 1 OF 1

REF. QTY.	PART NO.	DESCRIPTION
1	01201CT-OR	LID
2	05069	WHIZ LOCK, 1/4-20 NC X 5/8 ZINC
3	03060	BUSHING, IGUS MFI-1012-06
4	03020	SEAL
5	03061	FELT WASHER, 5/8 X 1 X 1/8
6	05125	HH CAP SCREW, 1/4-20 NC X 1-1/4 G5 ZINC
7	01210	ACTUATOR ARM
8	05038	RUE RING COTTER #8
9	05081	WASHER, 1/4 SAE ZINC
10	03045	CABLE, ACTUATOR
11	05096	NUT, NYLOCK, 1/4-20 NC ZINC
12	01211	DUMP VALVE LEVER
13	01202	AXLE LOCK LEVER
14	03221	SPRING, CENTURY 5292, 3/4 X 4-1/16
15	03514	CABLE, 40"
16	03241	LID GASKET
17	01203	AXLE LOCK SHAFT

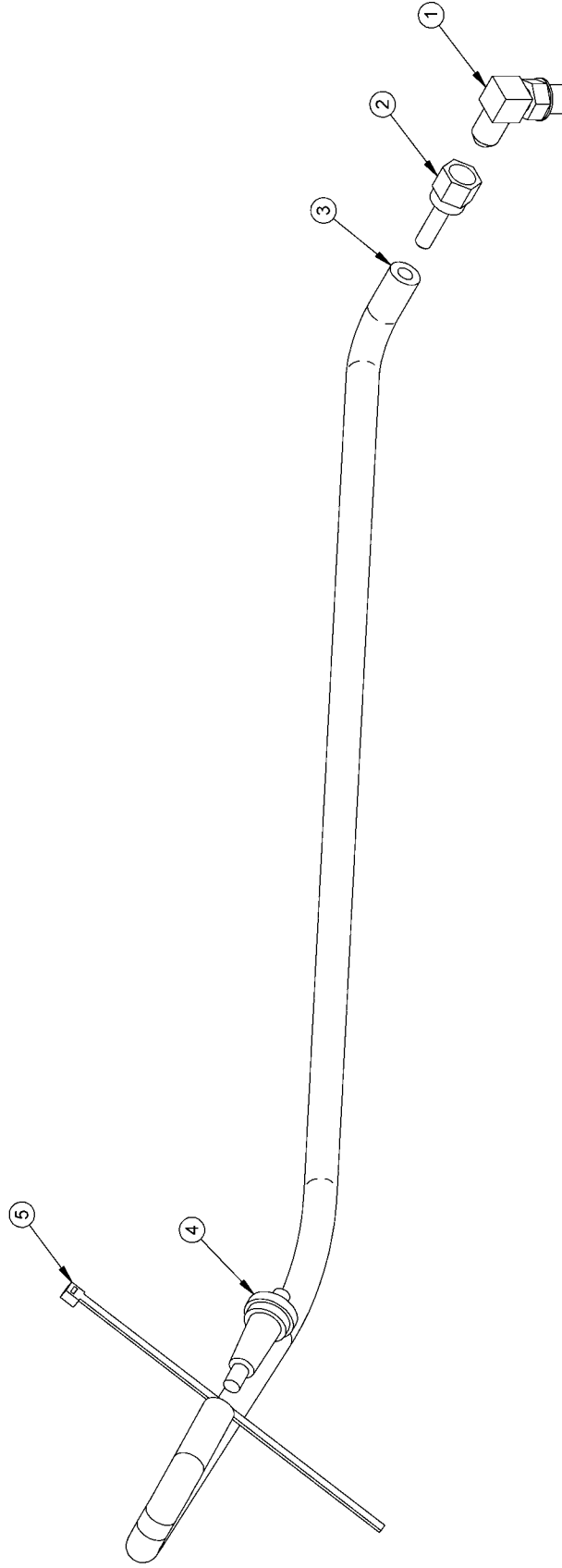


TITLE: LID

BARRETO

PRODUCT LINE: 1324/1624/1824 DATE: 12/13/07
 SCALE: 1:4.5 DWG# 00427
 SHEET 1 OF 1

REF. QTY.	PART NO.	DESCRIPTION
1	04555	FITTING, 6801-4-4
2	04214	FITTING, JS-4-4, HOSE BARB 1/4 X 1/4 SWIVEL
3	11364	HOSE, 1/4 INCH GASOLINE, 4L5, 44" LONG
4	04516	BREATHER, FILTER SNAPPER 1435
5	03035	TIE WRAP, 1/8 X 6



TITLE: BREATHER HOSE

PRODUCT LINE: 1324/1624/1824 DATE: 12/13/07

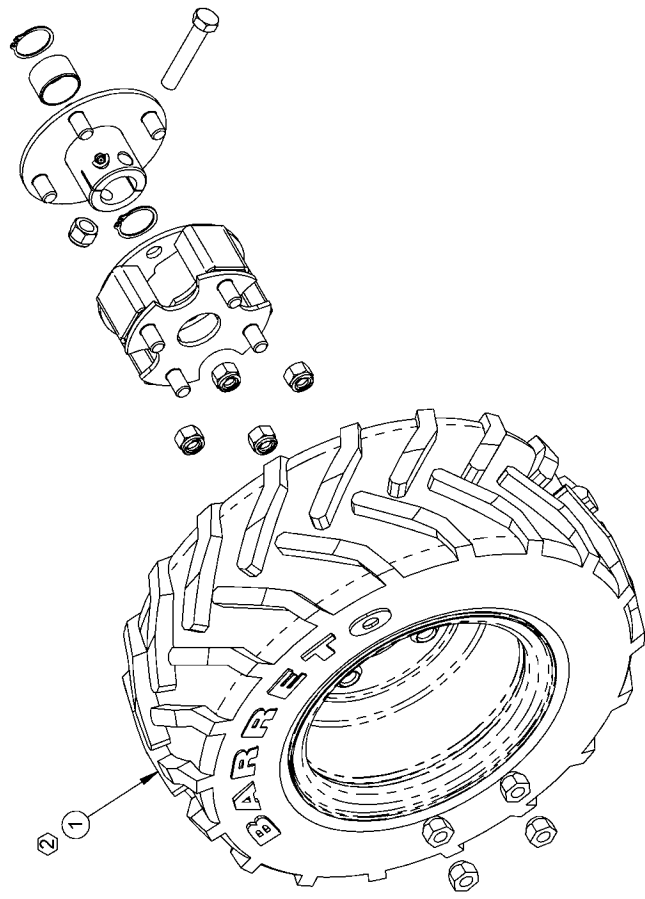
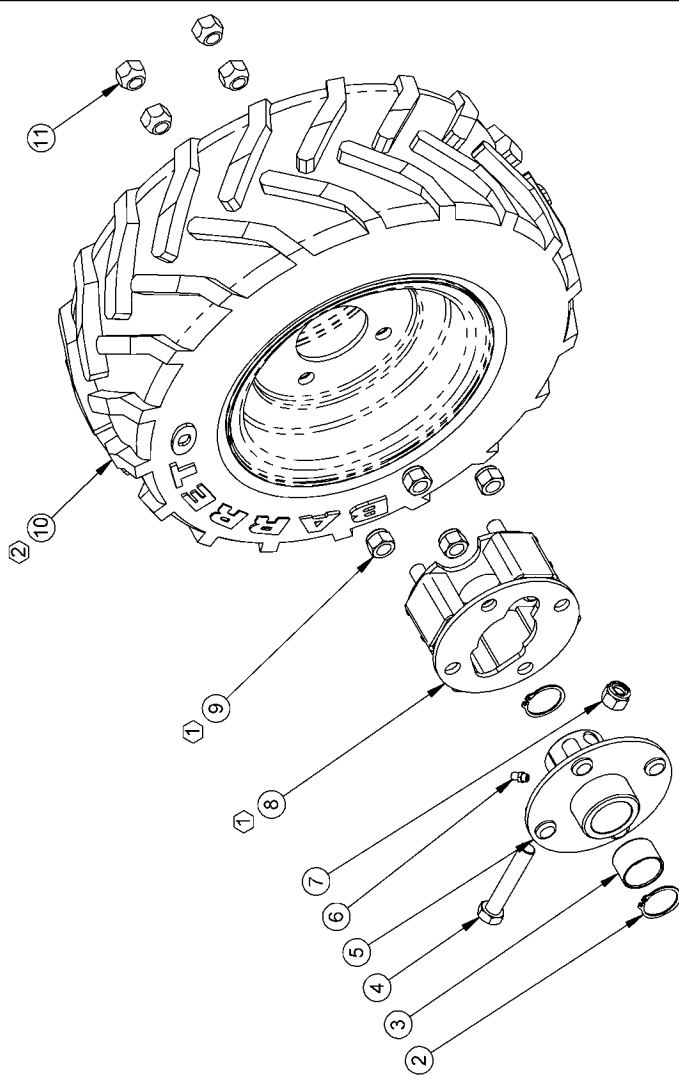
SCALE: 1:2.5 DWG# 00428

SHEET 1 OF 1

BARRRETO

REF. QTY.	PART NO.	DESCRIPTION
1	03046	TIRE & RIM, TILLER LH, TRENCHER RH, 16 X 6.50 -8
2	05214	SNAP RING, 1-1/4" EXTERNAL, SH-125
3	03260	BUSHING, IGUS LSI-2022-14
4	05565	HH CAP SCREW, 1/2-13 NC X 2-3/4 A325 ZINC
5	02215	WHEEL HUB, 4 BOLT ON 4" BC
6	05044	GREASE ZERK, 1/4-28 UNF
7	05098	NUT, NYLOCK, 1/2-13 NC ZINC
8	01250	WHEEL SPACER
9	05075	NUT, NYLOCK, 1/2-20 NF ZINC
10	03047	TIRE & RIM, TILLER RH, TRENCHER LH, 16 X 6.50 -8
11	05042	NUT, LUG, 1/2-20 NF

① ONLY USE WITH WIDE TIRES.



② TIRE OPTIONS

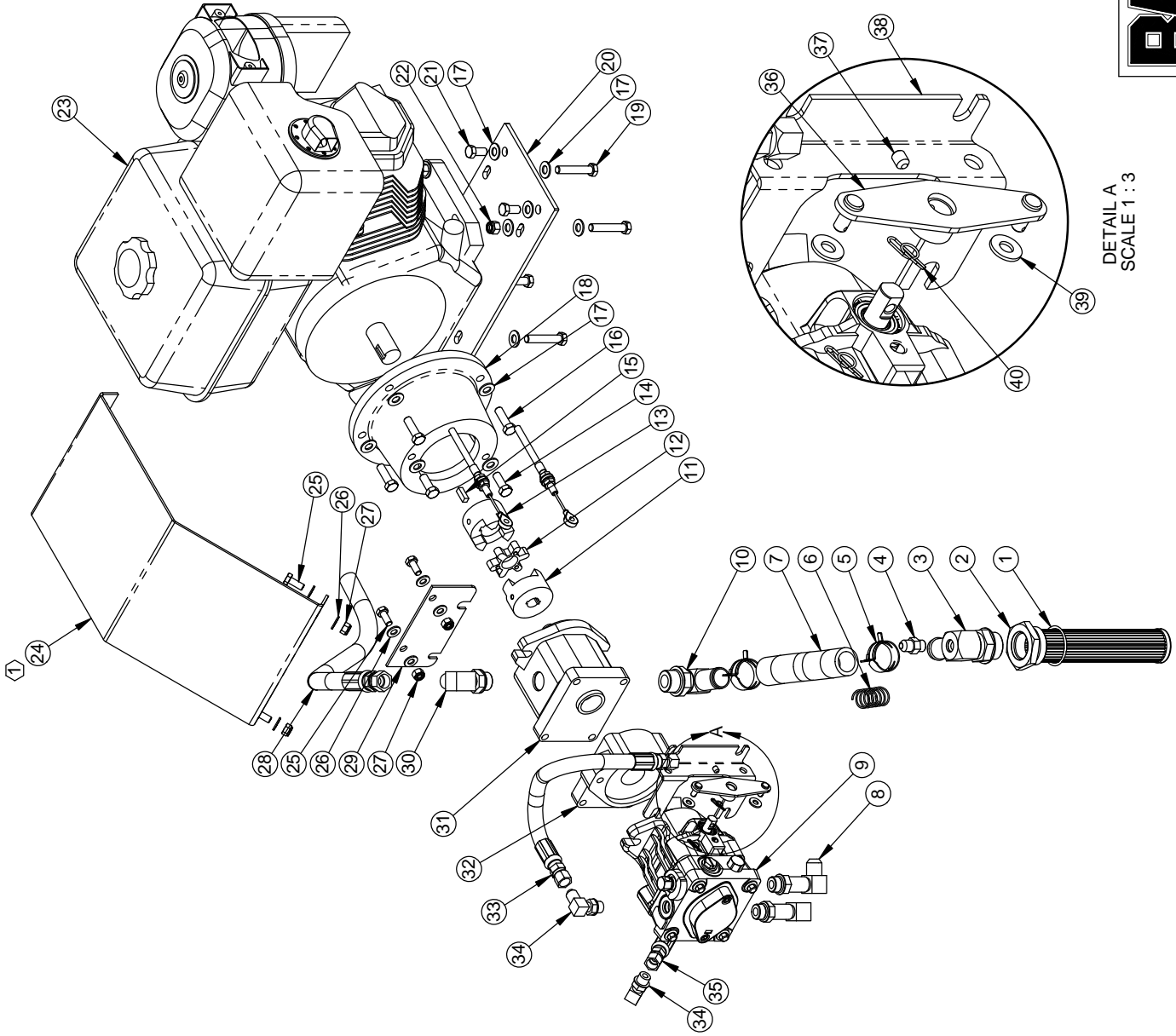
PART NO.	DESCRIPTION
03046	TIRE & RIM, RH, 16 X 6.50 -8
03046-F	TIRE & RIM, RH, 16 X 6.50 -8, FOAM FILLED
03047	TIRE & RIM, LH, 16 X 6.50 -8
03047-F	TIRE & RIM, LH, 16 X 6.50 -8, FOAM FILLED
03048	TIRE ONLY, 16 X 6.50 -8
03049	RIM ONLY, FOR 16 X 6.50 -8 TIRE
03050	RIM ONLY, FOR 18 X 9.50 -8 TIRE (WIDE)
03051	TIRE & RIM, 18 X 9.50 -8 (WIDE) TURFSAVER
03052	TIRE & RIM, RH, 18 X 9.50 -8 (WIDE)
03052-F	TIRE & RIM, RH, 18 X 9.50 -8 (WIDE), FOAM FILLED
03053	TIRE & RIM, LH, 18 X 9.50 -8 (WIDE)
03053-F	TIRE & RIM, LH, 18 X 9.50 -8 (WIDE), FOAM FILLED
03054	TIRE ONLY, 18 X 9.50 -8 TIRE (WIDE)

TITLE: WHEELS & WHEEL HUBS

PRODUCT LINE: 1324/1624/1824 DATE: 12/13/07
 SCALE: 1.5:1 DWG# 00429
 SHEET 1 OF 1



① FOR WIDE TIRE MODELS USE PART NO. 01217-BW.



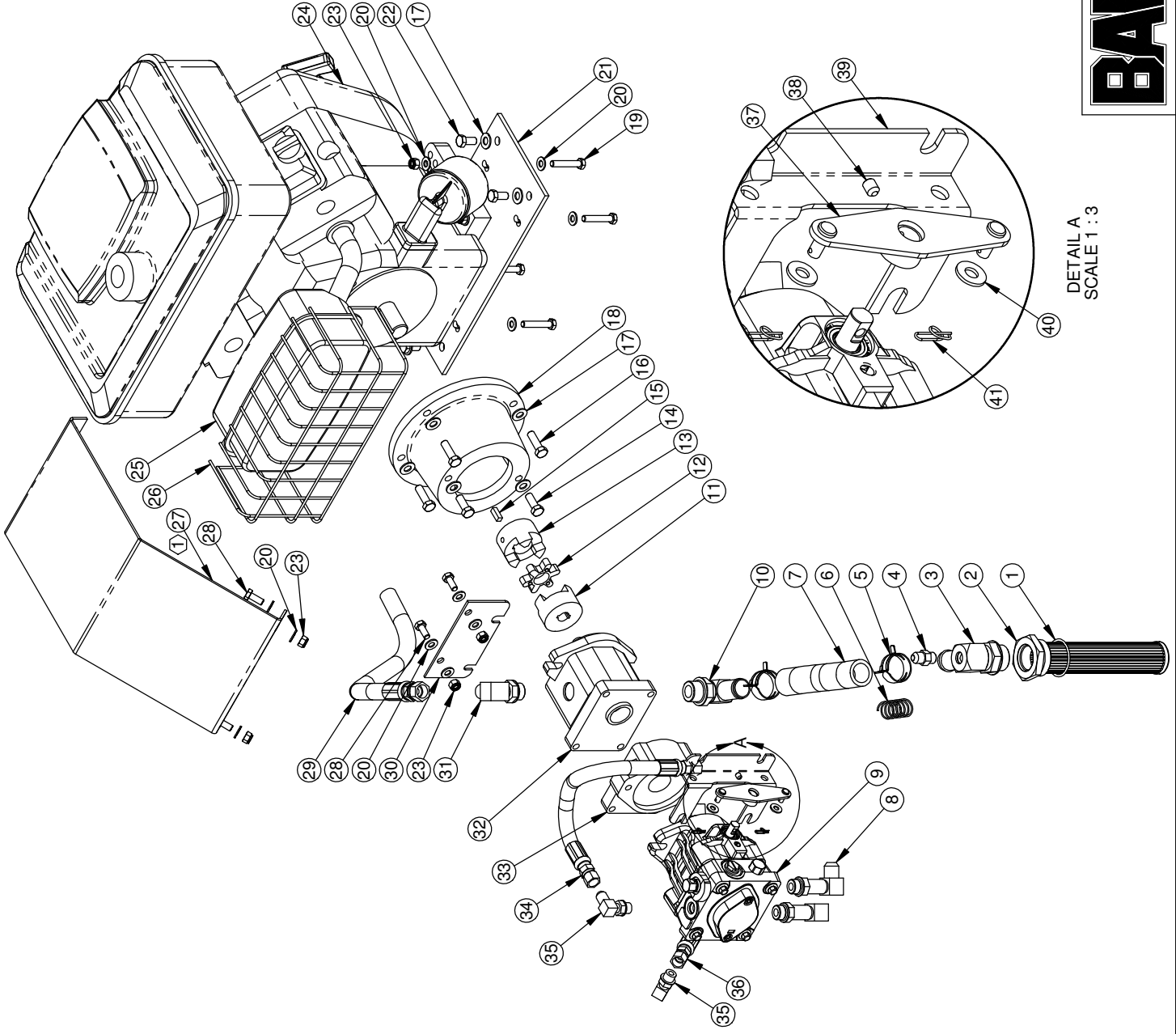
REF QTY.	PART NO.	DESCRIPTION
1	03292	O-RING, 3-924N90, -24 FITTINGS
2	10636	SUMP SCREEN, #24 EXT #16 INT O-RING
3	10680	FITTING, 4601-16-16-TAP
4	10401	FITTING, 6400-6-6
5	05225	CLAMP, 1-1/2" HOSE, CTB-36 ST
6	04511	SPRING, 1" OD
7	11363	HOSE, PUMP INTAKE
8	04533	FITTING, 6801-8-8-LL
9	04506	PUMP, PG-10 HYDROSTATIC
10	04530	FITTING, 4601-16-12
11	03021	JAW COUPLER, PUMP, 5/8" BORE
12	03022	SPIDER, RUBBER
13	03023	JAW COUPLER, 1" BORE L095
14	05059	HH CAP SCREW, 3/8-16 NC X 1 G5 ZINC
15	05014	KEY, 1/4 X 1/4 X 3/4
16	05091	HH CAP SCREW, 3/8-16 NC X 1-1/4 G5 ZINC
17	05101	WASHER, 3/8 SAE ZINC
18	02016	PUMP ADAPTER
19	05262	HH CAP SCREW, 3/8-16 NC X 2 G5 ZINC
20	01218-H	ENGINE MOUNT PLATE, HONDA 13 & 18 HP
21	05057	HH CAP SCREW, 3/8-16 NC X 3/4 G5 ZINC
22	05073	NUT, NYLOCK, 3/8-16 NC ZINC
23	07005	ENGINE, 13 HP HONDA GX390
24	01217	PUMP SHIELD, STANDARD 1324 & 1624
25	05247	HH CAP SCREW, 5/16-18 NC X 3/4 G5 ZINC
26	05068	WASHER, 5/16 SAE ZINC
27	05273	NUT, NYLOCK, 5/16-18 NC ZINC
28	04551-01	HOSE, PUMP TO VALVES
29	01215	SHIELD MOUNT
30	04211	FITTING, 6801-8-10
31	04507	PUMP SNP2-8.5-HSTAT
32	04504	ADAPTER WITH O-RINGS & HARDWARE
33	04545-01	HOSE, HYDROSTAT SUMP
34	04538	FITTING, 6801-6-6
35	04543	HOSE, HYDROSTAT TO FILTER
36	10339	PUMP CABLE ARM
37	05240	SET SCREW, 6MM, CUP POINT
38	10340	CABLE BRACKET
39	05081	WASHER, 1/4 SAE ZINC
40	05038	RUE RING COTTER #8
41	03514	CABLE, 40"

DETAIL A
SCALE 1 : 3



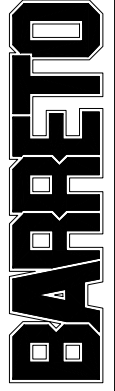
TITLE: ENGINE & PUMPS, 13 HP HONDA
 PRODUCT LINE: 1324D DATE: 3/3/09
 SCALE: 1:8 DWG#: 00430-13 R1
 SHEET 1 OF 1

REF. QTY.	PART NO.	DESCRIPTION
1	03292	O-RING, 3-924N90, -24 FITTINGS
2	10636	SUMP SCREEN, #24 EXT #16 INT O-RING
3	10680	FITTING, 4601-16-16-TAP
4	10401	FITTING, 6400-6-6
5	05225	CLAMP, 1-1/2" HOSE, CTB-36 ST
6	04511	SPRING, 1" OD
7	11363	HOSE, PUMP INTAKE
8	04533	FITTING, 6801-8-8-LL
9	04506	PUMP, PG-10 HYDROSTATIC
10	04530	FITTING, 4601-16-12
11	03021	JAW COUPLER, PUMP, 5/8" BORE
12	03022	SPIDER, RUBBER
13	03023	JAW COUPLER, 1" BORE L095
14	05059	HH CAP SCREW, 3/8-16 NC X 1 G5 ZINC
15	05014	KEY, 1/4 X 1/4 X 3/4
16	05091	HH CAP SCREW, 3/8-16 NC X 1-1/4 G5 ZINC
17	05101	WASHER, 3/8 SAE ZINC
18	02016	PUMP ADAPTER
19	05054	HH CAP SCREW, 5/16-18 NC X 1-3/4 G5 ZINC
20	05068	WASHER, 5/16 SAE ZINC
21	01218	ENGINE MOUNT PLATE, BRIGGS
22	05057	HH CAP SCREW, 3/8-16 NC X 3/4 G5 ZINC
23	05273	NUT, NYLOCK, 5/16-18 NC ZINC
24	07001	ENGINE, 16 HP BRIGGS
25	07000-10	MUFFLER
26	07000-11	MUFFLER GUARD
27	01217	PUMP SHIELD, STANDARD 1324 & 1624
28	05247	HH CAP SCREW, 5/16-18 NC X 3/4 G5 ZINC
29	04551-01	HOSE, PUMP TO VALVES
30	01215	SHIELD MOUNT
31	04211	FITTING, 6801-8-10
32	04503	PUMP SNP2-11-HSTAT
33	04504	ADAPTER WITH O-RINGS & HARDWARE
34	04545-01	HOSE, HYDROSTAT SUMP
35	04538	FITTING, 6801-6-6
36	04543	HOSE, HYDROSTAT TO FILTER
37	10339	PUMP CABLE ARM
38	05240	SET SCREW, 6MM, CUP POINT
39	10340	CABLE BRACKET
40	05081	WASHER, 1/4 SAE ZINC
41	05038	RUE RING COTTER #8



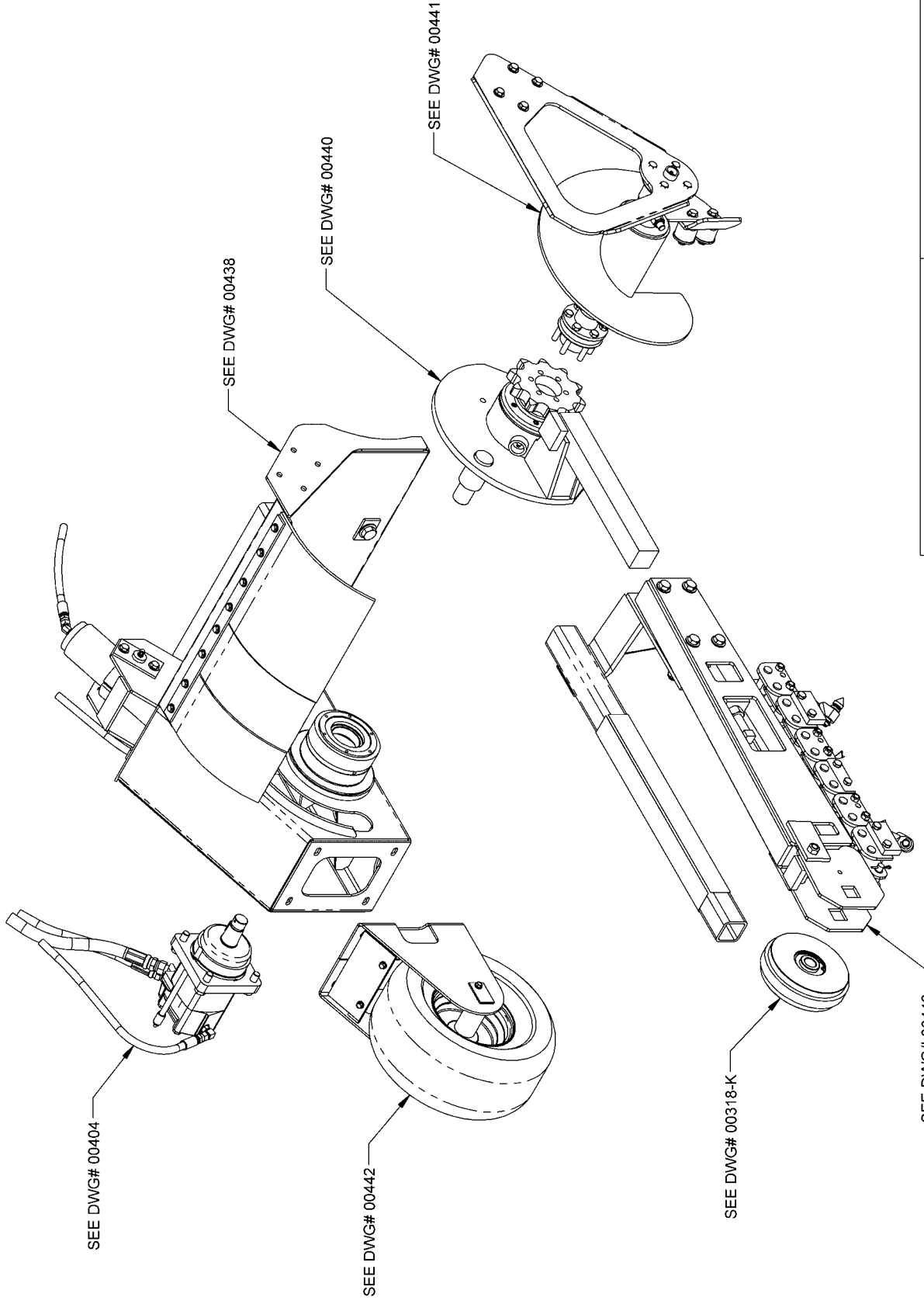
DETAIL A
SCALE 1:3

FOR WIDE TIRE MODELS USE PART NO. 01217-BW



TITLE: ENGINE & PUMPS, 16 HP B&S

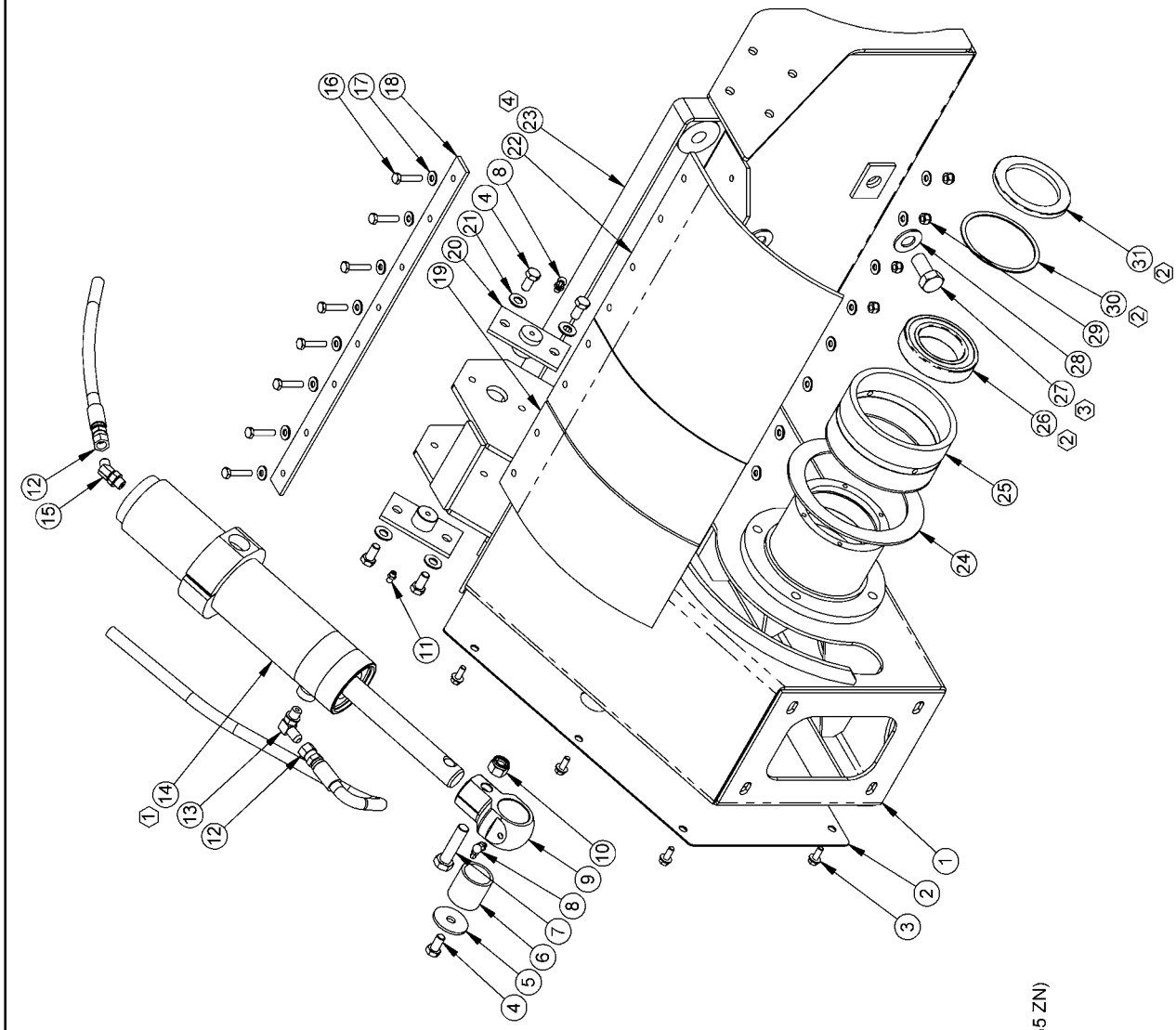
PRODUCT LINE: 1624D DATE: 3/3/09
SCALE: 1:8 DWG#: 00430-16 R1
SHEET 1 OF 1



TITLE: FRONT END OVERVIEW

PRODUCT LINE: 1324/1624/1824 DATE: 1/10/08
SCALE: 1:10 DWG# 00437
SHEET 1 OF 1

BARRETO



REF. QTY.	PART NO.	DESCRIPTION
1	01750	FRAME, FRONT END
2	01751	COVER, 2000 MOTOR
3	05069	WHIZ LOCK, 1/4-20 NC X 5/8 ZINC
4	05057	HH CAP SCREW, 3/8-16 NC X 3/4 G5 ZINC
5	01622	WASHER, 13/32 X 1-5/8 X 11 GA
6	03502	BUSHING, CONNEX # 150-125-150
7	05251	HH CAP SCREW, 1/2-20 NF X 2 G5 ZINC
8	05307	GREASE ZERK, 1/4-28 UNF 90°
9	02616	CYLINDER ROD END
10	05075	NUT, NYLOCK, 1/2-20 NF ZINC
11	05044	GREASE ZERK, 1/4-28 UNF
12	04552-01	HOSE, 1/4 X 43 SINGLE BRAID
13	04555	FITTING, 6801-4-4
14	02700-ASML	CYLINDER ASSEMBLY
15	04218	FITTING, 6802-4-4
16	05125	HH CAP SCREW, 1/4-20 NC X 1-1/4 G5 ZINC
17	05081	WASHER, 1/4 SAE ZINC
18	01640	FLAP KEEPER
19	03901	CHAIN FLAP
20	01616	CYLINDER PIN
21	05103	WASHER, 3/8 A325 HARDENED ZINC
22	03900	AUGER FLAP
23	01612	SPACER, FRONT END, BIG WHEEL
24	02704	THRUST WASHER, 4-15/16 X 6-1/2 X 1/8 NYLATRON
25	02703	PIVOT BUSHING
26	03285-A	ROLLER BEARING, SKF NU 1011 EC
27	05260	HH CAP SCREW, 5/8-11 NC X 1-1/4 G5 ZINC
28	05272	WASHER, 5/8 SAE ZINC HARDENED
29	05096	NUT, NYLOCK, 1/4-20 NC ZINC
30	05604	SMALLEY RING WH-362
31	03935	SEAL

- ① REFERENCE DWG# 02700-ASML FOR INDIVIDUAL PARTS.
- ② INCLUDED WITH CHAIN DRIVE HUB & MOTOR REPLACEMENT KIT. REFERENCE DWG# 04500-H-K.
- ③ FOR WIDE TIRE MODELS, USE PART NO. 05335 (HHCS, 5/8-11 NC X 2-1/2 G5 ZN)
- ④ FOR WIDE TIRE MODELS ONLY.

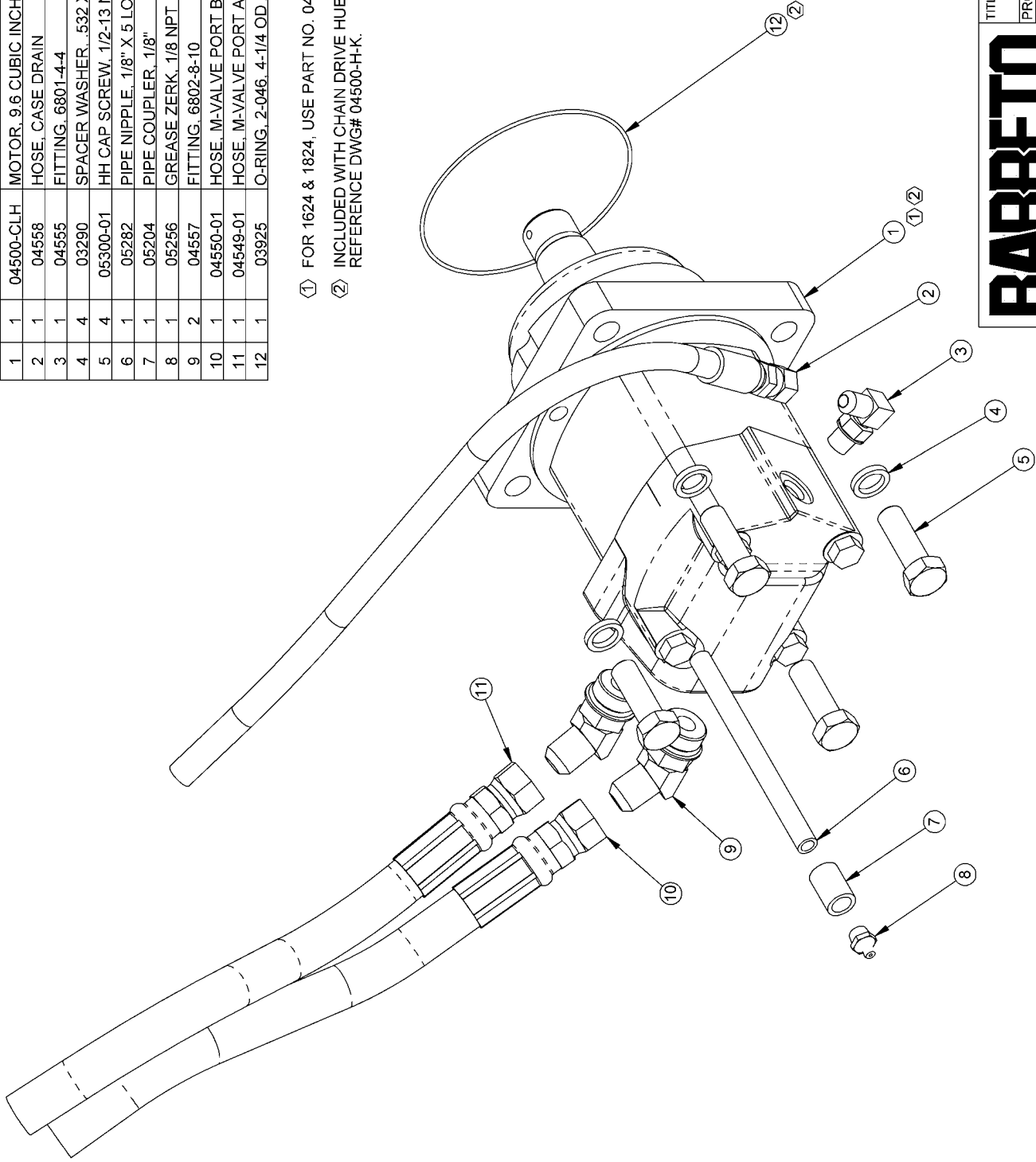
TITLE: FRONT END, FRAME

PRODUCT LINE: 1324/1624/1824 DATE: 4/29/08
 SCALE: 1:1.3 DWG# 00438
 SHEET 1 OF 1



REF. QTY.	PART NO.	DESCRIPTION
1	04500-CLH	MOTOR, 9.6 CUBIC INCH (1324)
2	04558	HOSE, CASE DRAIN
3	04555	FITTING, 6801-4-4
4	03290	SPACER WASHER, .532 X .750 X .125
5	05300-01	HH CAP SCREW, 1/2-13 NC X 1-1/2 G5 ZINC
6	05282	PIPE NIPPLE, 1/8" X 5 LONG
7	05204	PIPE COUPLER, 1/8"
8	05256	GREASE ZERK, 1/8 NPT
9	04557	FITTING, 6802-8-10
10	04550-01	HOSE, M-VALVE PORT B TO DIG CHAIN MOTOR LOWER PORT
11	04549-01	HOSE, M-VALVE PORT A TO DIG CHAIN MOTOR UPPER PORT
12	03925	O-RING, 2-.046, 4-1/4 OD X 1/16 SECTION

- ① FOR 1624 & 1824, USE PART NO. 04500-CLB (MOTOR, 11.9 CUBIC INCH)
- ② INCLUDED WITH CHAIN DRIVE HUB & MOTOR REPLACEMENT KIT. REFERENCE DWG# 04500-H-K.

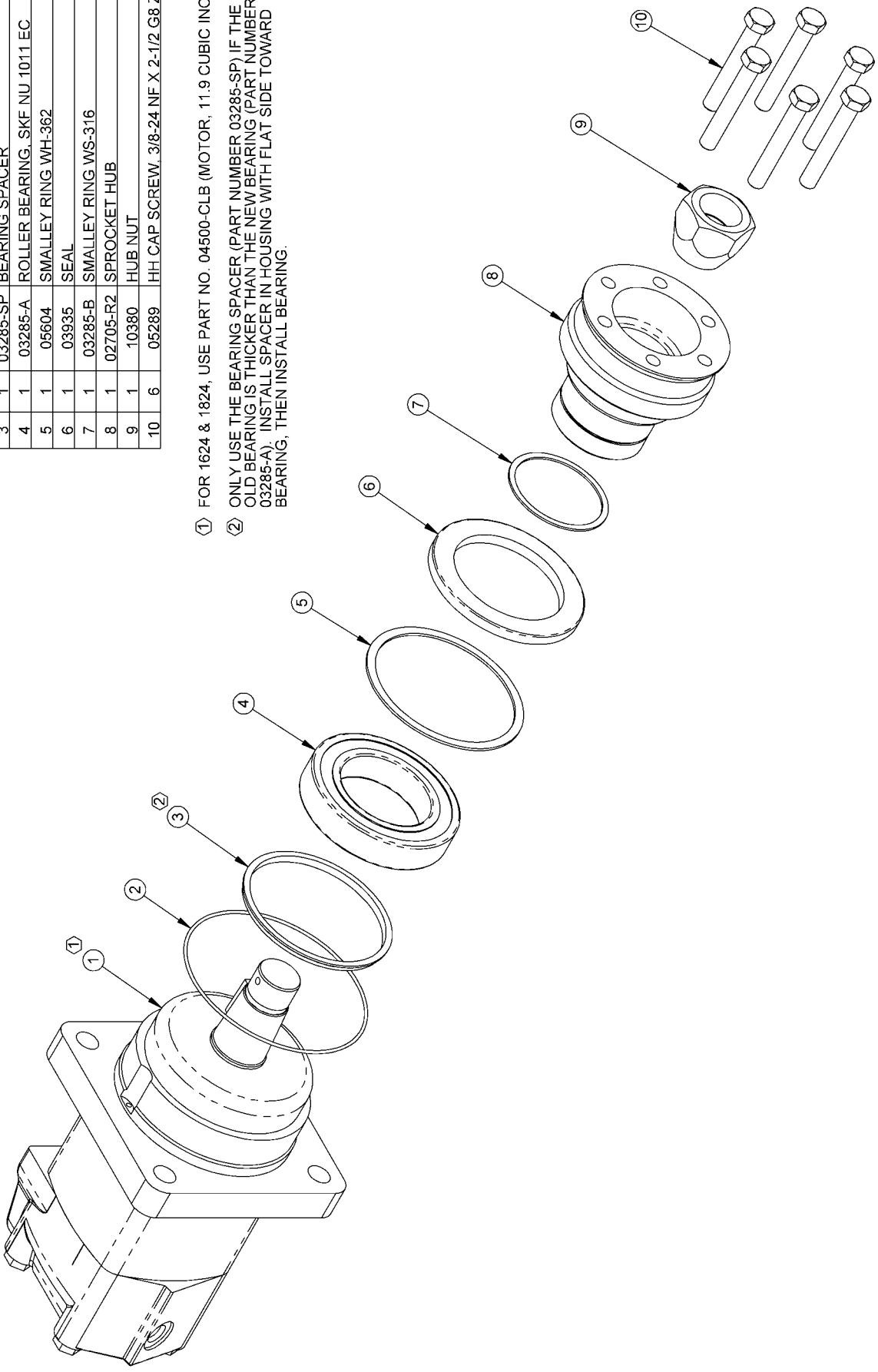


BARRETO

TITLE: FRONT END, MOTOR, 2000 SERIES
 PRODUCT LINE: 1324/1624/1824 DATE: 12/17/07
 SCALE: 1:2.7 DWG# 00439
 SHEET 1 OF 1

REF. QTY.	PART NO.	DESCRIPTION
1	04500-CLH	MOTOR, 9.6 CUBIC INCH (1324)
2	03925	O-RING, 2-046, 4-1/4 OD X 1/16 SECTION
3	03285-SP	BEARING SPACER
4	03285-A	ROLLER BEARING, SKF NU 1011 EC
5	05604	SMALLEY RING WH-362
6	03935	SEAL
7	03285-B	SMALLEY RING WS-316
8	02705-R2	SPROCKET HUB
9	10380	HUB NUT
10	05289	HH CAP SCREW, 3/8-24 NF X 2-1/2 G8 ZINC

- ① FOR 1624 & 1824, USE PART NO. 04500-CLB (MOTOR, 11.9 CUBIC INCH).
- ② ONLY USE THE BEARING SPACER (PART NUMBER 03285-SP) IF THE OLD BEARING IS THICKER THAN THE NEW BEARING (PART NUMBER 03285-A). INSTALL SPACER IN HOUSING WITH FLAT SIDE TOWARD BEARING, THEN INSTALL BEARING.

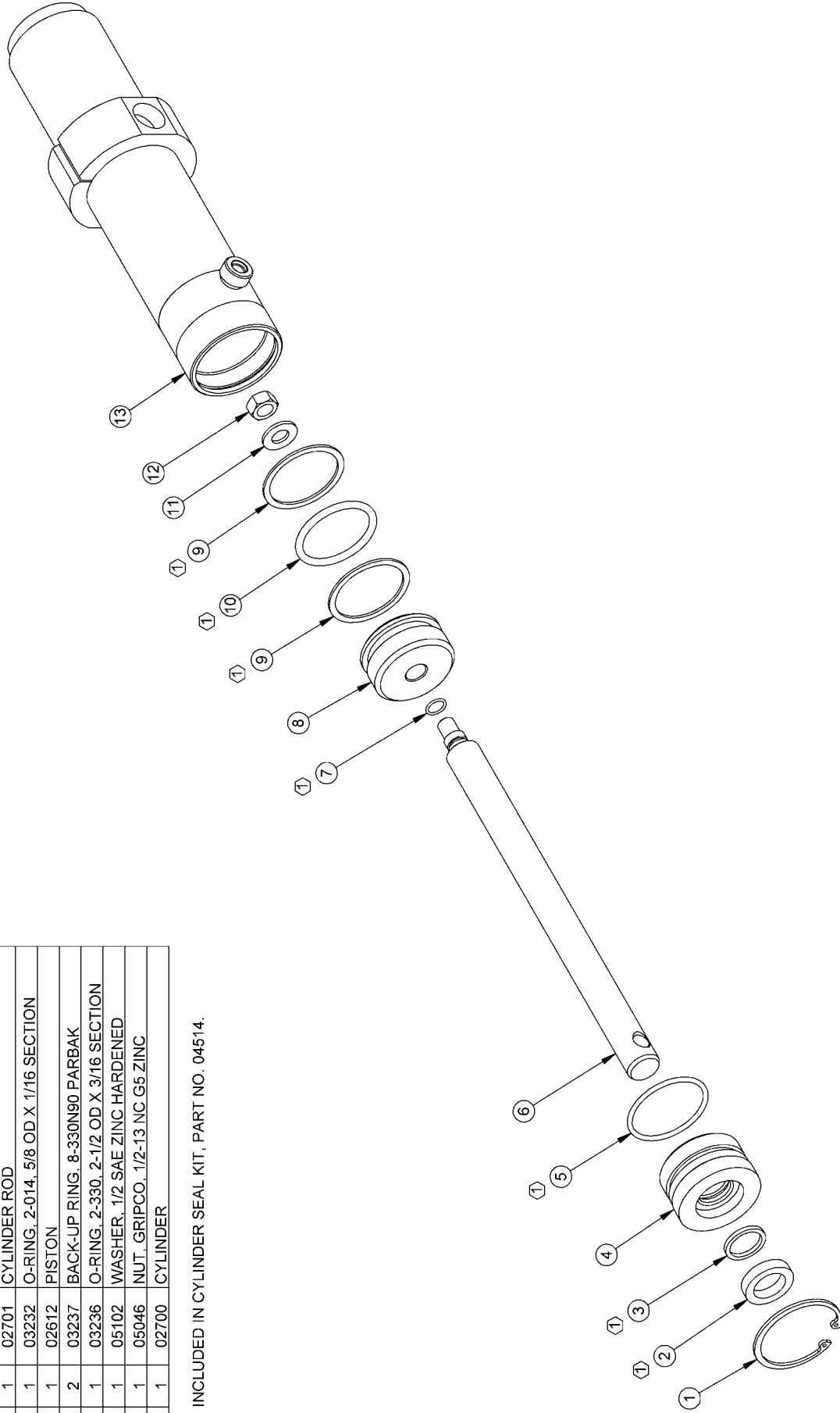


BARRETO

TITLE: CHAIN DRIVE HUB & MOTOR REPLACEMENT KIT - UPS ONLY
 PRODUCT LINE: 1324/1624/1824 DATE: 1/22/08
 SCALE: 1:3 SHEET 1 OF 1 DWG# 04500-H-K

REF. QTY.	PART NO.	DESCRIPTION
1	05211	SNAP RING, HO-256, 2-9/16 INTERNAL ZINC
2	03255	WIPER, 1 X 1-1/2 X 5/16 J-1000
3	03259	SEAL, 1x1/8x1/8 ROD
4	02613	CYLINDER END
5	03234	O-RING, 2-228, 2-1/2 OD X 1/8 SECTION
6	02701	CYLINDER ROD
7	03232	O-RING, 2-014, 5/8 OD X 1/16 SECTION
8	02612	PISTON
9	03237	BACK-UP RING, 8-330N90 PARBAK
10	03236	O-RING, 2-330, 2-1/2 OD X 3/16 SECTION
11	05102	WASHER, 1/2 SAE ZINC HARDENED
12	05046	NUT, GRIPCO, 1/2-13 NC G5 ZINC
13	02700	CYLINDER

① INCLUDED IN CYLINDER SEAL KIT, PART NO. 04514.



TITLE: CYLINDER ASSEMBLY

PRODUCT LINE: COMMON DATE: 7/2/07

SCALE: 1:4

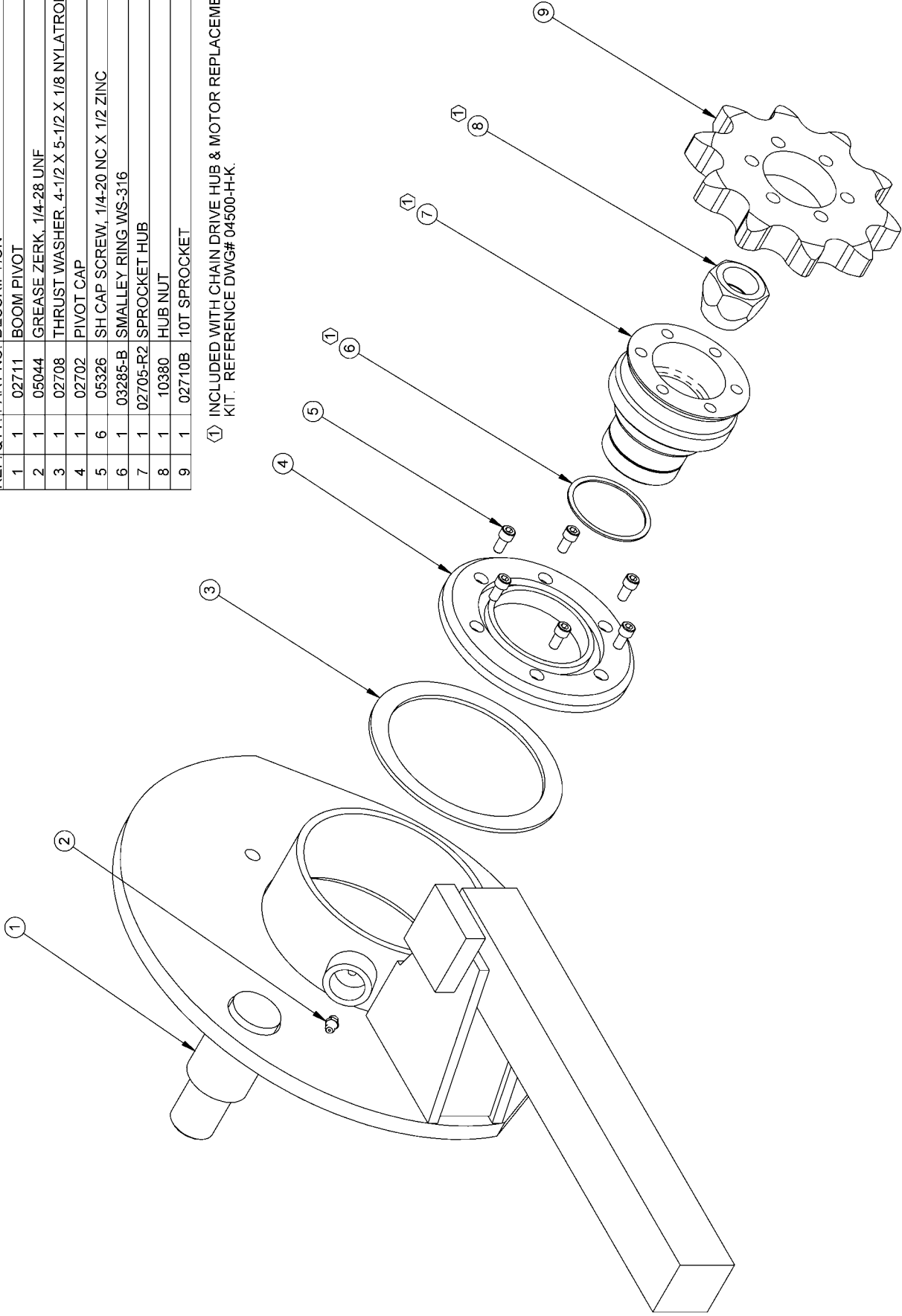
SHEET 1 OF 1

DWG# 02700-ASML

BARRETO

REF. QTY.	PART NO.	DESCRIPTION
1	02711	BOOM PIVOT
2	05044	GREASE ZERK, 1/4-28 UNF
3	02708	THRUST WASHER, 4-1/2 X 5-1/2 X 1/8 NYLATRON
4	02702	PIVOT CAP
5	05326	SH CAP SCREW, 1/4-20 NC X 1/2 ZINC
6	03285-B	SMALLEY RING WS-316
7	02705-R2	SPROCKET HUB
8	10380	HUB NUT
9	02710B	10T SPROCKET

① INCLUDED WITH CHAIN DRIVE HUB & MOTOR REPLACEMENT KIT. REFERENCE DWG# 04500-H-K.



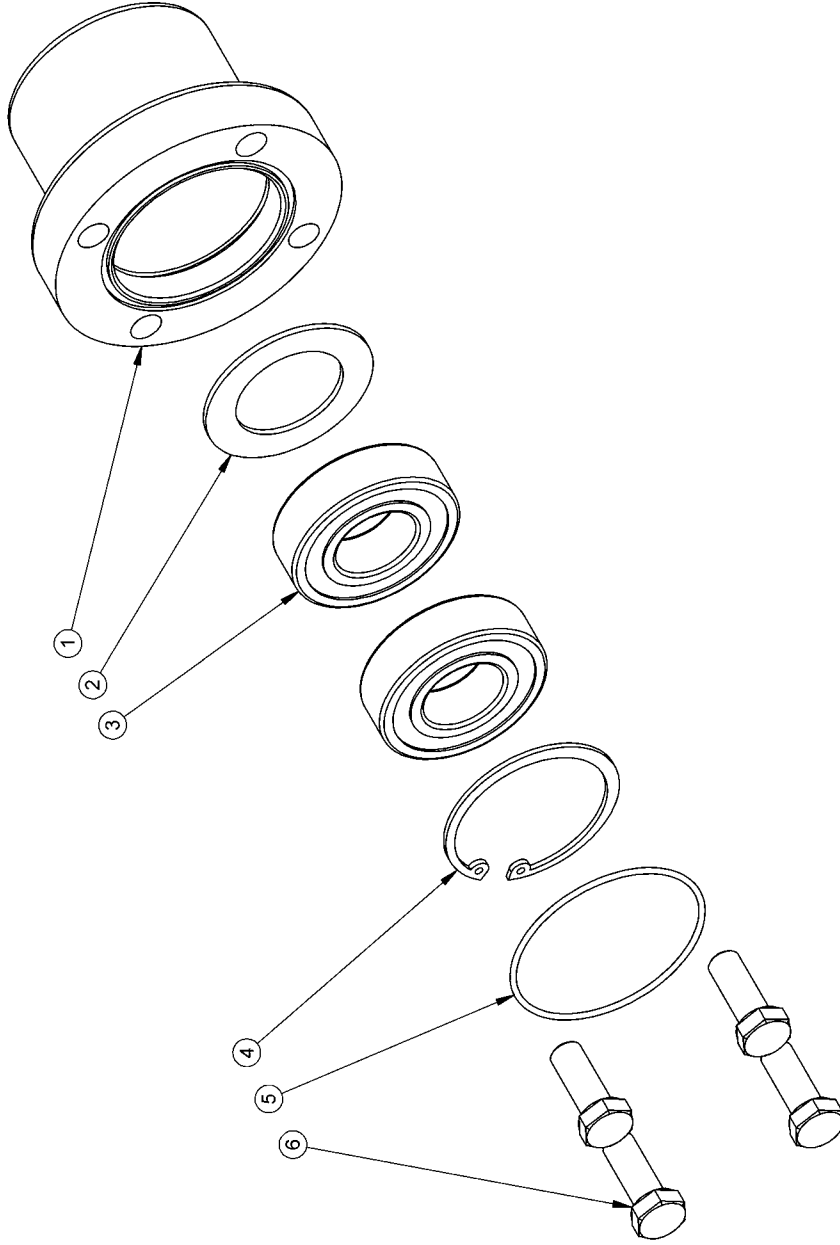
BARRETO

TITLE: FRONT END, BOOM PIVOT

PRODUCT LINE: 1324/1624/1824 DATE: 12/17/07

SCALE: 1:3.5 SHEET 1 OF 1 DWG# 00440

REF. QTY.	PART NO.	DESCRIPTION
1	10142	OUTBOARD BEARING HOUSING, 4 BOLT
2	01026	SHIELD, OUTBOARD BEARING
3	03043	BALL BEARING, 6205
4	05024	SNAP RING, HO-200, 2" INTERNAL
5	03904	O-RING, 2-035, 2-3/8 OD X 1/16 SECTION
6	05059	HH CAP SCREW, 3/8-16 NC X 1 G5 ZINC



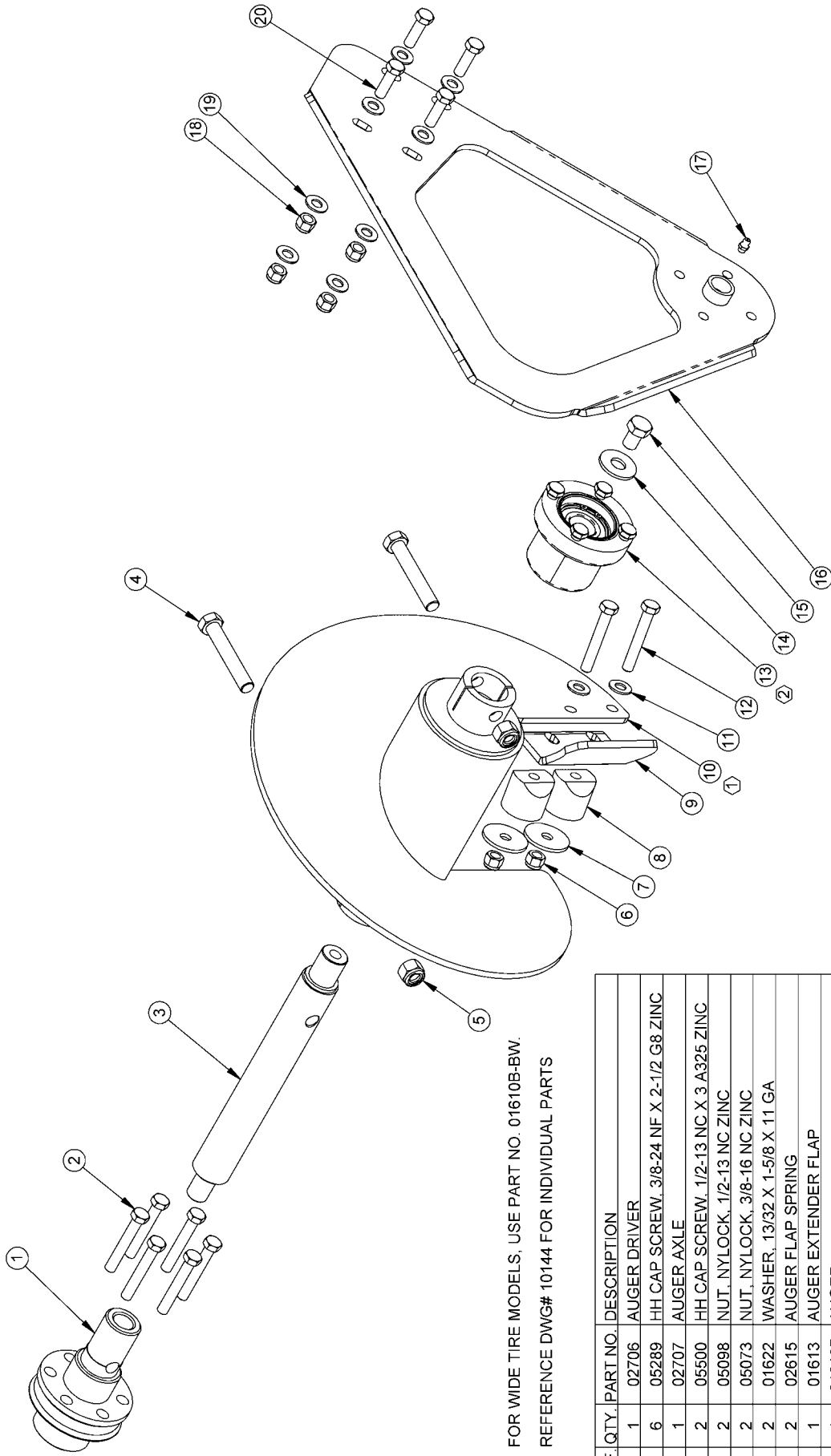
BARRETO

TITLE: OUTBOARD BEARING ASSEMBLY,
4 BOLT

PRODUCT LINE: COMMON DATE: 3/2/04

SCALE: 1:2 DWG# 10144

SHEET 1 OF 1



① FOR WIDE TIRE MODELS, USE PART NO. 01610B-BW.

② REFERENCE DWG# 10144 FOR INDIVIDUAL PARTS

REF. QTY.	PART NO.	DESCRIPTION
1	02706	AUGER DRIVER
2	05289	HH CAP SCREW, 3/8-24 NF X 2-1/2 G8 ZINC
3	02707	AUGER AXLE
4	05500	HH CAP SCREW, 1/2-13 NC X 3 A325 ZINC
5	05098	NUT, NYLOCK, 1/2-13 NC ZINC
6	05073	NUT, NYLOCK, 3/8-16 NC ZINC
7	01622	WASHER, 13/32 X 1-5/8 X 11 GA
8	02615	AUGER FLAP SPRING
9	01613	AUGER EXTENDER FLAP
10	01610B	AUGER
11	05101	WASHER, 3/8 SAE ZINC
12	05249	HH CAP SCREW, 3/8-16 NC X 2-1/2 G5 ZINC
13	10144	OUTBOARD BEARING ASSEMBLY
14	05201	WASHER, 1/2 USS ZINC
15	05060	HH CAP SCREW, 1/2-13 NC X 3/4 G5 ZINC
16	10143L	AUGER SUPPORT, LH 4 HOLE
17	05044	GREASE ZERK, 1/4-28 UNF
18	05072	NUT, NYLOCK, 3/8-24 NF ZINC
19	05103	WASHER, 3/8 A325 HARDENED ZINC
20	05292	HH CAP SCREW, 3/8-24 NF X 1-1/4 G5 ZINC

TITLE: FRONT END, AUGER

PRODUCT LINE: 1324/1624/1824 DATE: 12/17/07

SCALE: 1:5

SHEET 1 OF 1

DWG# 00441

BARRETO

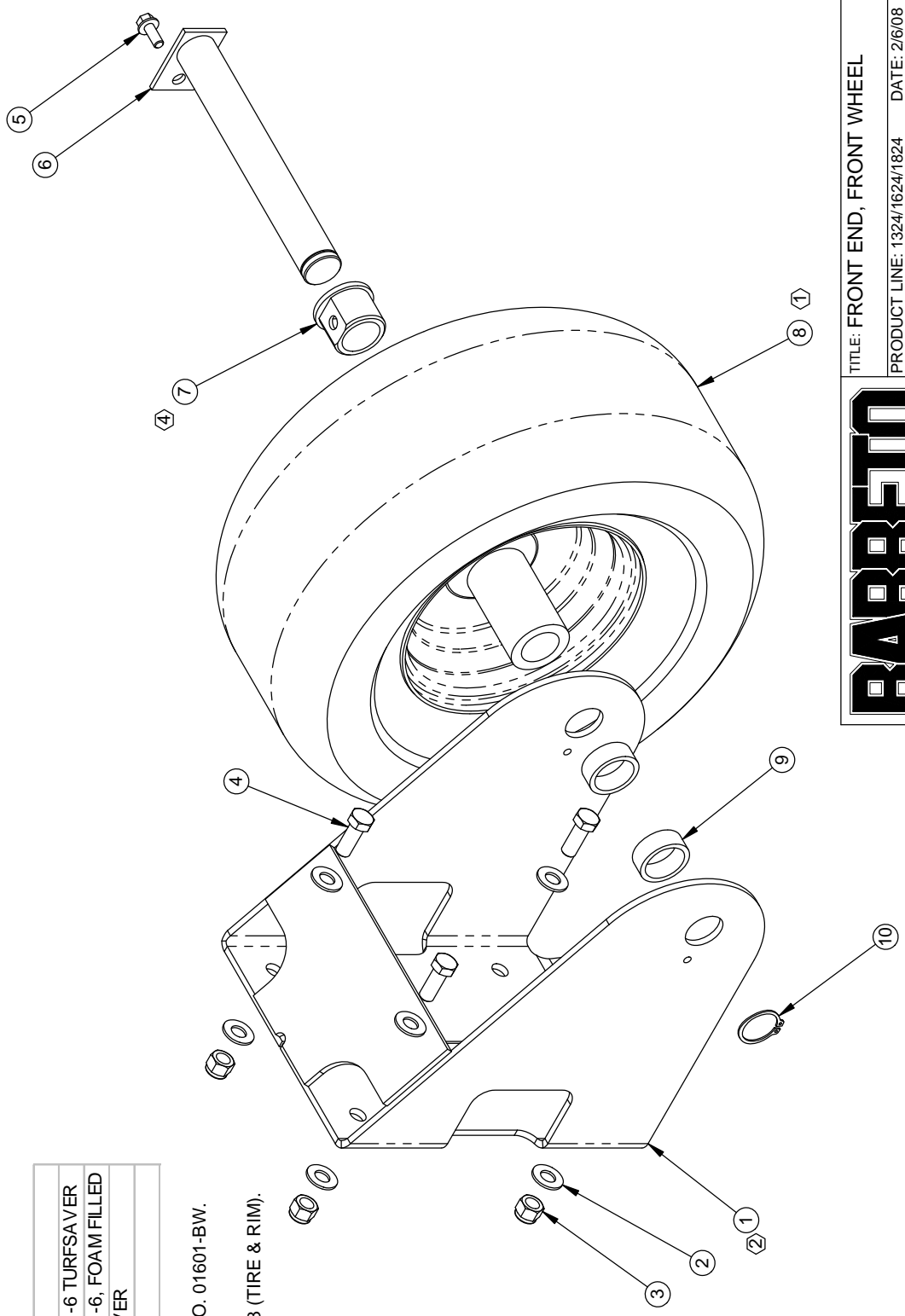
REF QTY.	PART NO.	DESCRIPTION
1	01601	FRONT WHEEL HOUSING
2	05101	WASHER, 3/8 SAE ZINC
3	05072	NUT, NYLOCK, 3/8-24 NF ZINC
4	05056	HH CAP SCREW, 3/8-24 NF X 1 G5 ZINC
5	05069	WHIZ LOCK, 1/4-20 NC X 5/8 ZINC
6	01602	AXLE, FRONT WHEEL
7	03213-1	BUSHINGS, FRONT WHEEL (SOLD IN PAIRS)
8	03213	TIRE & RIM, TRENCHER FRONT END
9	01603	SPACER, FRONT WHEEL
10	05010	SNAP RING, 1" EXTERNAL

① TIRE OPTIONS

PART NO.	DESCRIPTION
03213	TIRE & RIM, FRONT END, 13 X 6.50 -6 TURFSAVER
03213-F	TIRE & RIM, FRONT END, 13 X 6.50 -6, FOAM FILLED
03214	TIRE ONLY, 13 X 6.50 -6 TURFSAVER
03215	RIM ONLY, FOR 13 X 6.50 -6 TIRE

② FOR WIDE TIRE MODELS, USE PART NO. 01601-BW.

④ 03213-1 (BUSHINGS) COME WITH 03213 (TIRE & RIM).



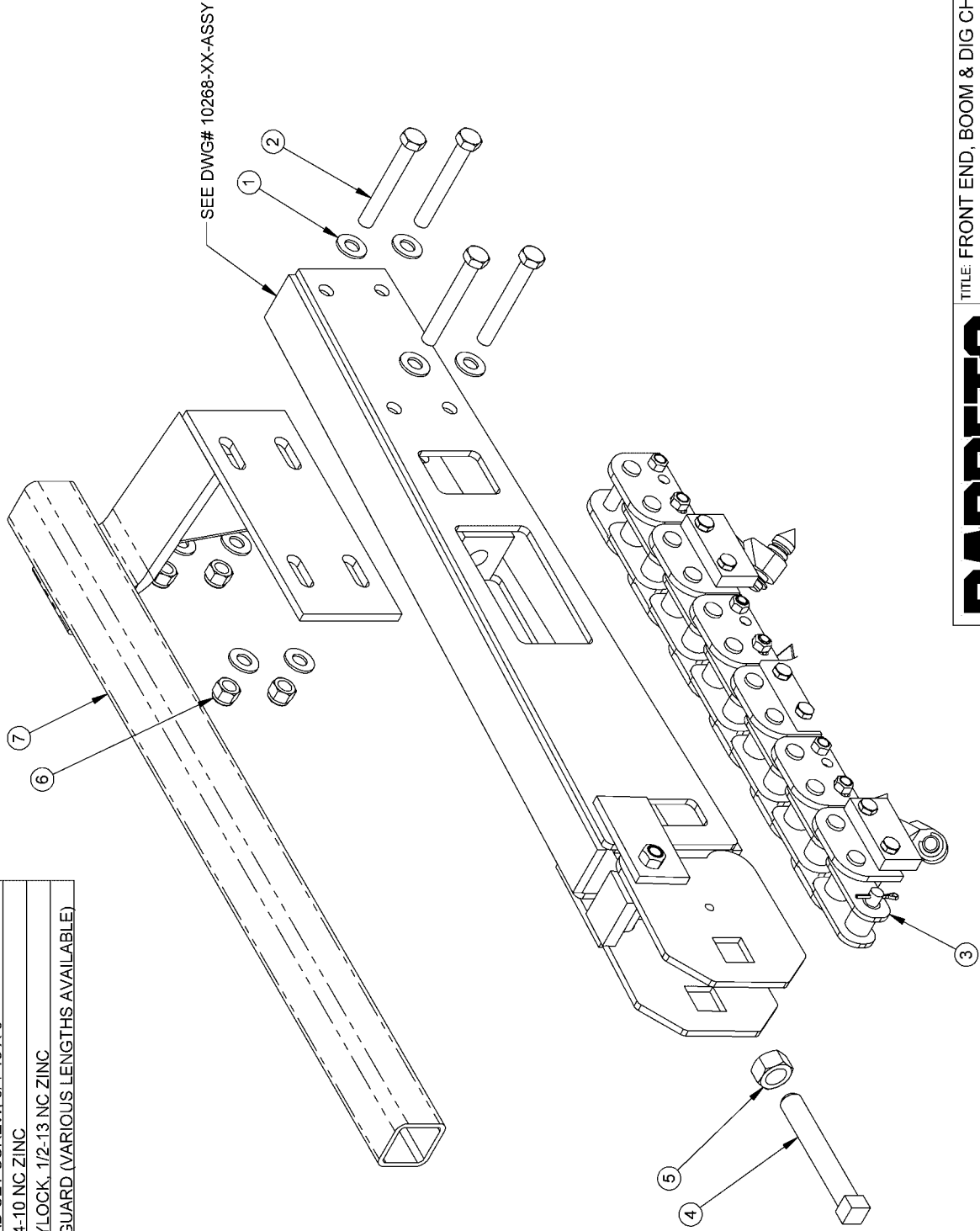
BARRETO

TITLE: FRONT END, FRONT WHEEL

PRODUCT LINE: 1324/1624/1824 DATE: 2/6/08

SCALE: 1:4 DWG#: 00442 SHEET 1 OF 1

REF. QTY.	PART NO.	DESCRIPTION
1	05102	WASHER, 1/2 SAE ZINC HARDENED
2	05253	HI CAP SCREW, 1/2-13 NC X 3-3/4 G5 ZINC
3	1	DIG CHAIN (MANY OPTIONS AVAILABLE)
4	05230	SQ. HEAD SET SCREW, 3/4-10 X 5
5	05231	NUT, 3/4-10 NC ZINC
6	05098	NUT, NYLOCK, 1/2-13 NC ZINC
7	01607-XX	BOOM GUARD (VARIOUS LENGTHS AVAILABLE)



TITLE: FRONT END, BOOM & DIG CHAIN

PRODUCT LINE: 1324/1624/1824 DATE: 1/10/08

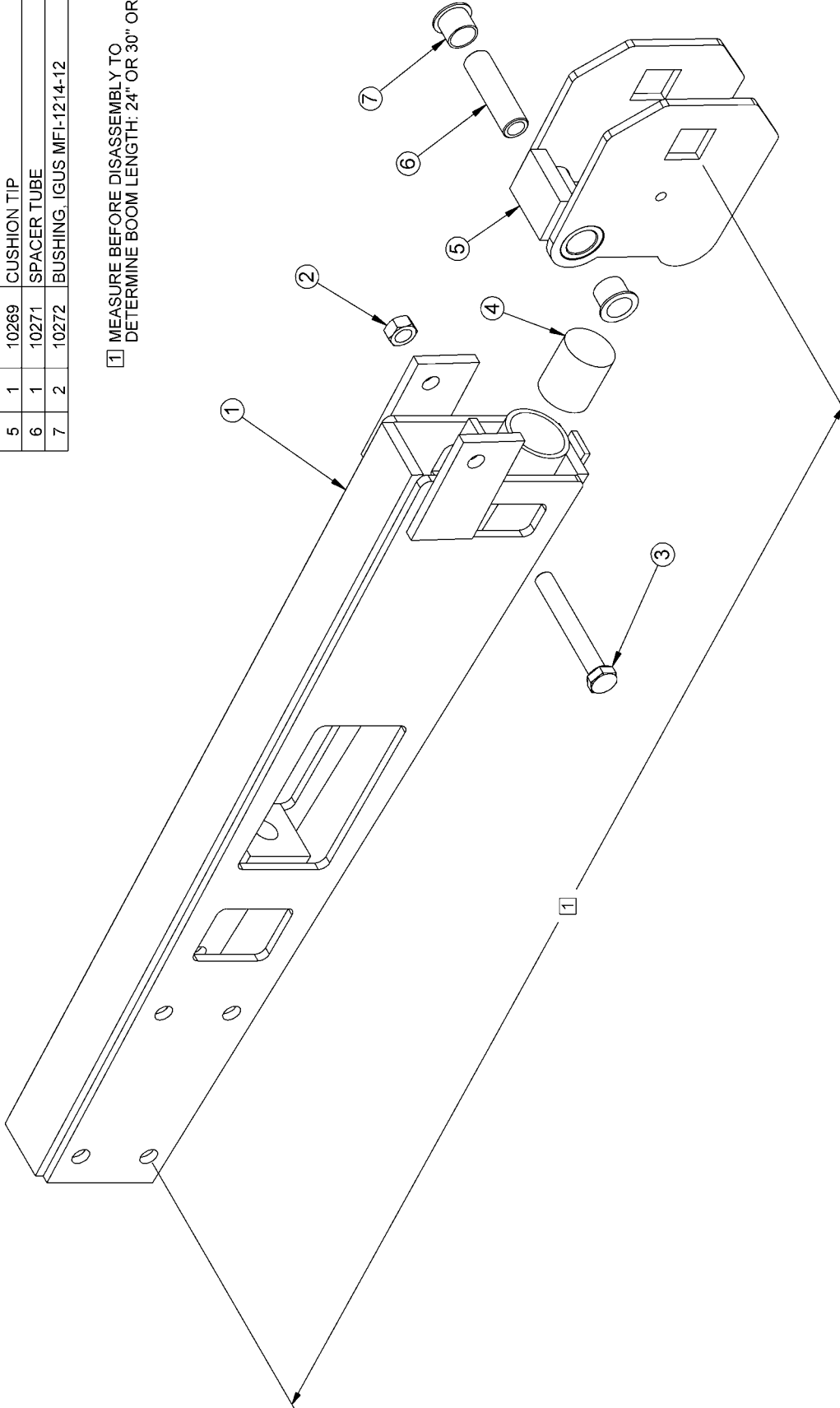
SCALE: 1:5

SHEET 1 OF 1 DWG# 00443

BARRETO

REF. QTY.	PART NO.	DESCRIPTION
1	10268-XX	CUSHION BOOM, 24" OR 30" OR 36"
2	05046	NUT, GRIPCO, 1/2-13 NC G5 ZINC
3	05253	HH CAP SCREW, 1/2-13 NC X 3-3/4 G5 ZINC
4	10270	CUSHION BOOM
5	10269	CUSHION TIP
6	10271	SPACER TUBE
7	10272	BUSHING, IGUS MFI-1214-12

1 MEASURE BEFORE DISASSEMBLY TO DETERMINE BOOM LENGTH: 24" OR 30" OR 36".

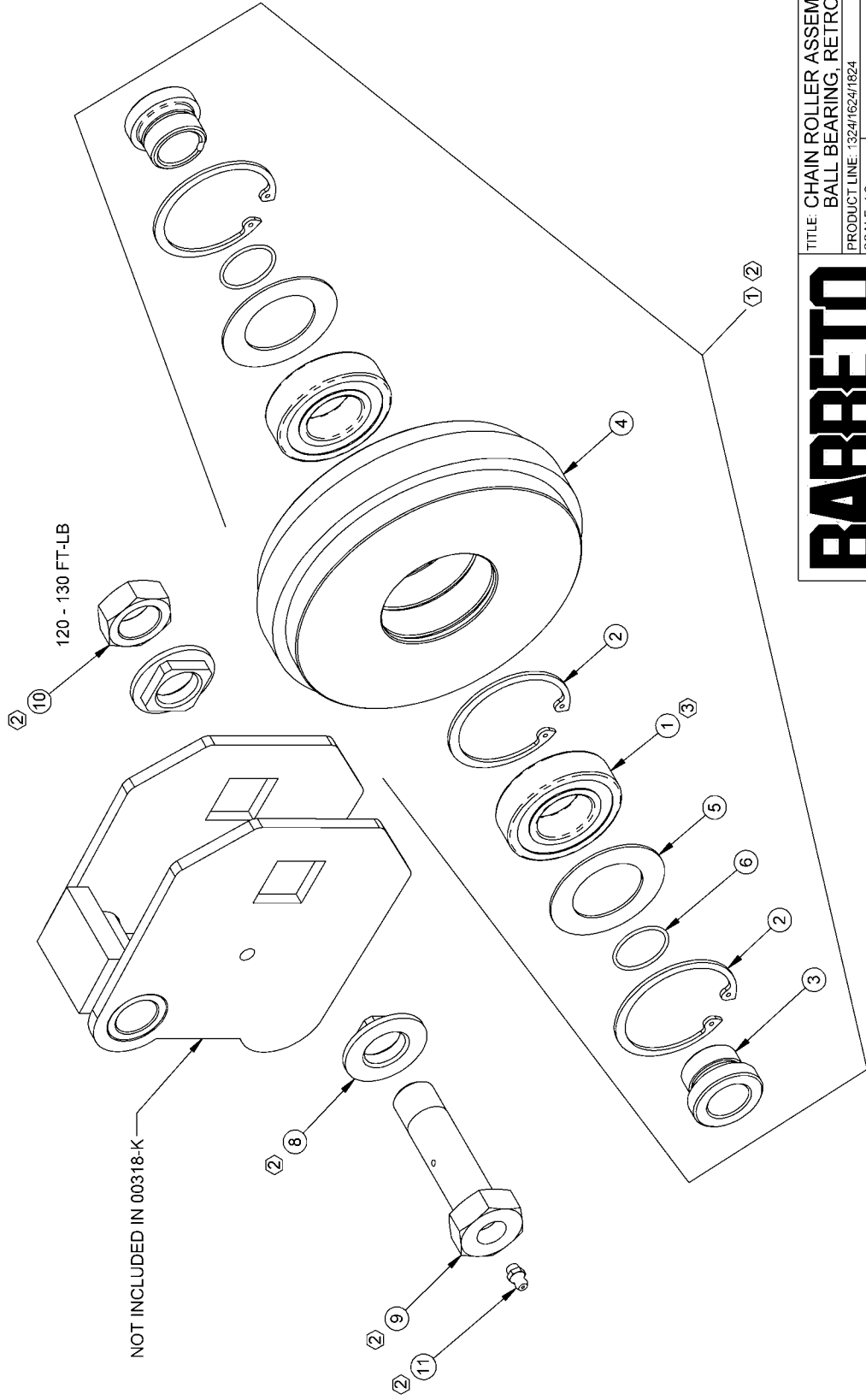


BARRETO

TITLE: CUSHION BOOM ASSEMBLY,
24" OR 30" OR 36"
PRODUCT LINE: 1324/1624/1824 DATE: 12/17/07
SCALE: 1:4 DWG# 10268-XX-ASSY
SHEET 1 OF 1

REF. QTY.	PART NO.	DESCRIPTION
1	03280	BALL BEARING, SKF 6206
2	10742	SNAP RING, HO-244, 2-7/16 INTERNAL
3	10743	SPACER
4	02621-B	CHAIN ROLLER, BALL BRG
5	10745	THRUST WASHER, 1.501 X 2.434 X .060 ZINC
6	10858	O-RING, 2-023, 1-13/16 OD X 1/16 SECTION
8	10857	ROLLER AXLE LOCATOR, RETROFIT
9	10848-M	BOOM ROLLER AXLE, RETROFIT
10	05597	JAM NUT, GRIPCO 7/8 - 9
11	05044	GREASE ZERK, 1/4-28 UNF

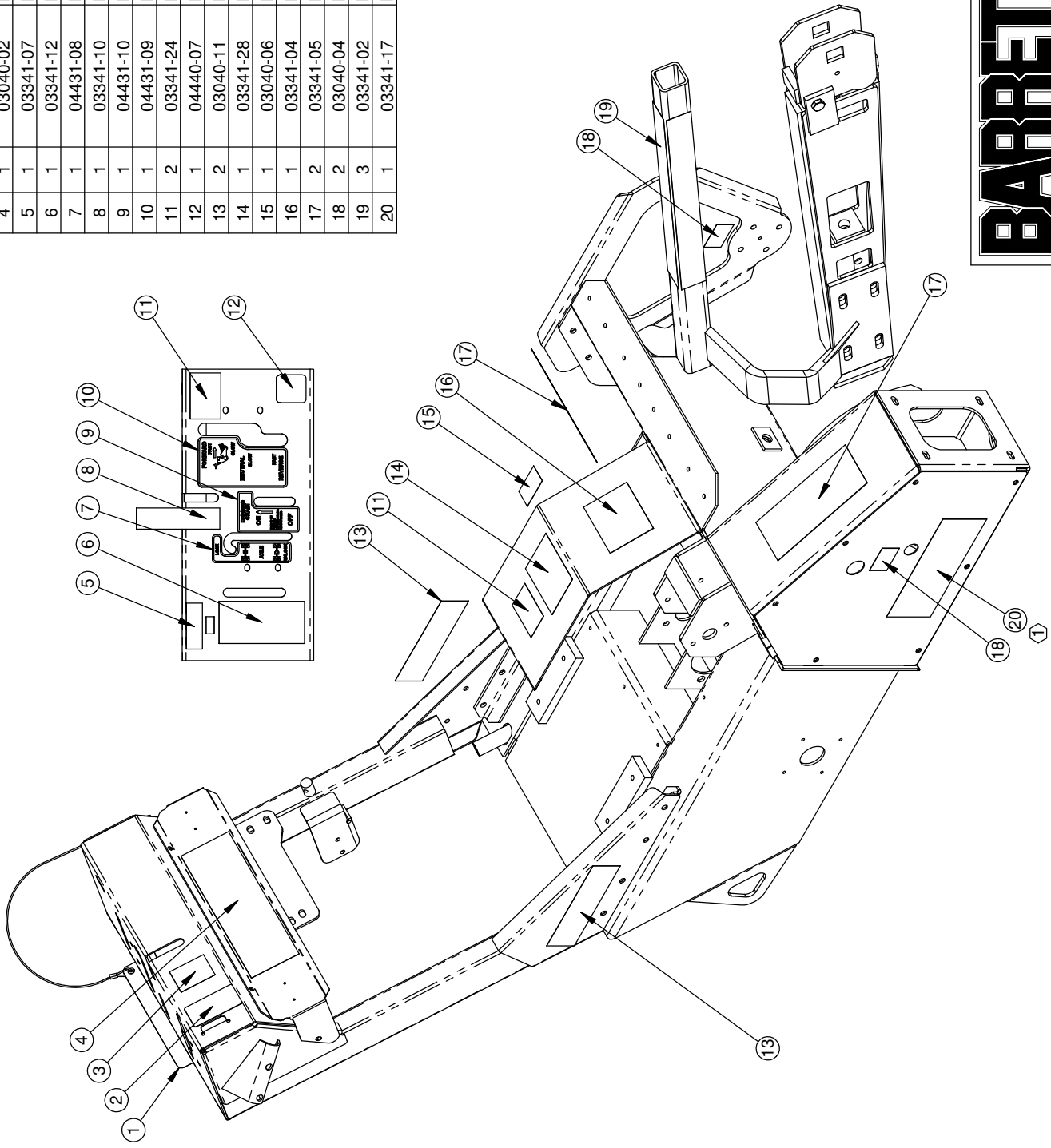
- ① ALL INDICATED ITEMS INCLUDED IN PART NUMBER 00318 (CHAIN ROLLER ASSEMBLY).
- ② ALL ITEMS LISTED IN THE BILL OF MATERIALS MAY BE ORDERED AS A KIT, PART NUMBER 00318-K.
- ③ REMOVE ONE SEAL FROM EACH BALL BEARING. INSTALL BEARINGS WITH REMAINING SEAL FACING OUT.



BARRETO

TITLE: CHAIN ROLLER ASSEMBLY, BALL BEARING, RETROFIT KIT
 PRODUCT LINE: 1324/1624/1824 DATE: 2/6/08
 SCALE: 1:3 SHEET 1 OF 1 DWG# 00318-K

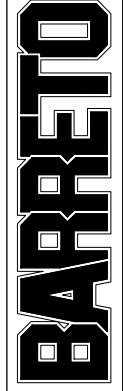
- ① FOR 1624, USE PART NO. 03341-03 (DECAL, "1624-D").
- 2. FOR A COMPLETE 1324 (HONDA) DECAL SET, ORDER PART NO. K4431-HC.
- 3. FOR A COMPLETE 1624 (BRIGGS) DECAL SET, ORDER PART NO. K4431-BC.



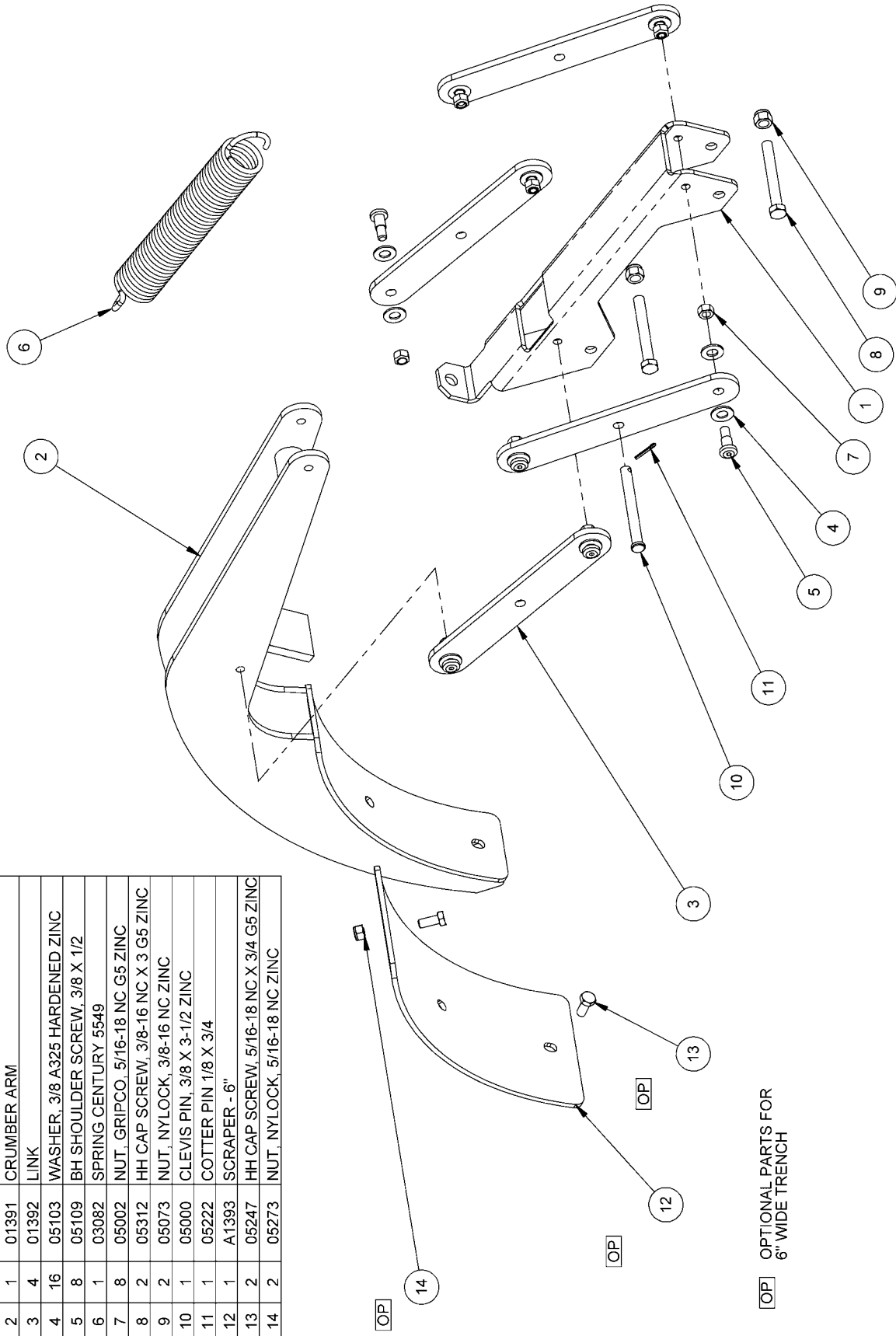
REF. QTY.	PART NO.	DESCRIPTION
1	03341-06COMP	INSTRUCTION SHEET, COMPLETE
2	04440-05	DECAL, ENGINE THROTTLE
3	03040-01	DECAL, "MADE IN USA"
4	03040-02	DECAL, "BARRETO", 3-1/2 X 11-1/4
5	03341-07	DECAL, "IGNITION OFF/ON"
6	03341-12	DECAL, "DIGGING BOOM, UP-DOWN"
7	04431-08	DECAL, AXLE LOCK
8	03341-10	DECAL, DIG CHAIN "FWD/N/REV"
9	04431-10	DECAL, DIG CHAIN ON/OFF
10	04431-09	DECAL, TRAVEL SPEED, F/N/R
11	03341-24	DECAL, "WARNING - NO PARKING BRAKE"
12	04440-07	DECAL: REV/TRENCH SYMBOL
13	03040-11	DECAL, "BARRETO", 2-3/16 X 7-3/8
14	03341-28	DECAL, GREASE CHART
15	03040-06	DECAL, "HYDRAULIC OIL ONLY"
16	03341-04	DECAL, "CAUTION - TO AVOID INJURY"
17	03341-05	DECAL, DANGER, CHAIN
18	03040-04	DECAL, "GREASE DAILY"
19	03341-02	DECAL, "DANGER" STRIPES
20	03341-17	DECAL, 1324-D

TITLE: DECALS

PRODUCT LINE: 1324D & 1624D DATE: 3/3/09
 SCALE: 1:10 DWG# 00446 R1
 SHEET 1 OF 1



REF. QTY.	PART NO.	DESCRIPTION
1	01394	CRUMBER MOUNT
2	01391	CRUMBER ARM
3	01392	LINK
4	05103	WASHER, 3/8 A325 HARDENED ZINC
5	05109	BH SHOULDER SCREW, 3/8 X 1/2
6	03082	SPRING CENTURY 5549
7	05002	NUT, GRIPCO, 5/16-18 NC G5 ZINC
8	05312	HH CAP SCREW, 3/8-16 NC X 3 G5 ZINC
9	05073	NUT, NYLOCK, 3/8-16 NC ZINC
10	05000	CLEVIS PIN, 3/8 X 3-1/2 ZINC
11	05222	COTTER PIN 1/8 X 3/4
12	A1393	SCRAPER - 6"
13	05247	HH CAP SCREW, 5/16-18 NC X 3/4 G5 ZINC
14	05273	NUT, NYLOCK, 5/16-18 NC ZINC



[OP] OPTIONAL PARTS FOR 6" WIDE TRENCH

TITLE: CRUMBER ASSEMBLY

PRODUCT LINE: TRENCHER 132471624 DATE: 3/06

SCALE: 1:5

SHEET 1 OF 1

DWG# A1390

BARRETO

BARRETO TRENCHER CHAIN TYPES / DESCRIPTION / USE

STANDARD CUP CHAIN (AKA Skip Tooth) -4

This chain has a cup tooth on every other link.

Where to use it

This chain is most effective in loamy soil - soil that is packable into clods. It is also more effective in clay or "gumbo" soil that is sticky and clings to the chain. The space between the cups allows the soil to let go instead of running around with the chain as a slurry which prevents effective digging.



DOUBLE CUP CHAIN -4C

This chain has a cup tooth on every link.

Where to use it

This chain is best for sand and dry, loose soil that has a tendency to fall back into the trench. The extra cups provide for better clean-out.



STANDARD COMBO CHAIN -4M

This chain has an alternating pattern of cup and rock teeth.

Where to use it.

It is designed for areas that have variable soil types. The rock teeth are effective in rocky soil or hard-pan while the cups provide for efficient clean-out. The rock tooth is made up of three parts; a bracket, that is bolted onto the chain, a bullet tip that is inserted into the bracket, and a clip that holds the tip in place. This chain continues to be aggressive even when the cups get rounded. The disadvantage of this chain is that the tips can fall out, especially when the chain reverse feature is used frequently.



COMBO/SHARK CHAIN -4MS

This chain has an alternating pattern of cup and Shark teeth.

Where to use it.

Use this chain in pretty much the same conditions as the standard combo chain. Although not as aggressive, the Shark teeth last longer and do not fall off. This is our most popular chain.



SHARK CHAIN -4S

The teeth on this chain are all Shark teeth that are welded onto the chain. Replacement teeth are not available for this chain.

Where to use it.

This chain can be used in the most adverse soils. It is good in rocky soil, "cliché", limestone, hard-pan and any other hard to dig soils. It does not clean out well in sandy or dry, loose loamy soil. This is not the fastest but it is most durable chain available. It is not uncommon for the teeth to outlast the chain rollers. When the rollers wear out, the complete chain must be replaced.



BOLT-ON SHARK CHAIN -4SB

This chain utilizes a standard chain blank and has Shark teeth that are bolted to the chain blank.

Where to use it.

This chain is good in all the conditions described for the Shark chain. The advantage is the teeth can be removed when the chain wears out and can be used on a new blank. It is not uncommon for the teeth to last through two chains.



ROCK CHAIN -4R

This chain features all rock teeth.

There is a bracket, bullet, and clip at each link.

Where to use it.

This is the most effective chain for hard rocky soil. It is good in all conditions described for Shark chain. The disadvantage is the possibility of losing bullets, especially in conditions where the chain reverse feature is used often. As the chain wears and the bullets get rounded, it becomes less effective.



NOTE: ALL CHAINS ARE AVAILABLE IN 6" WIDTHS AS WELL.